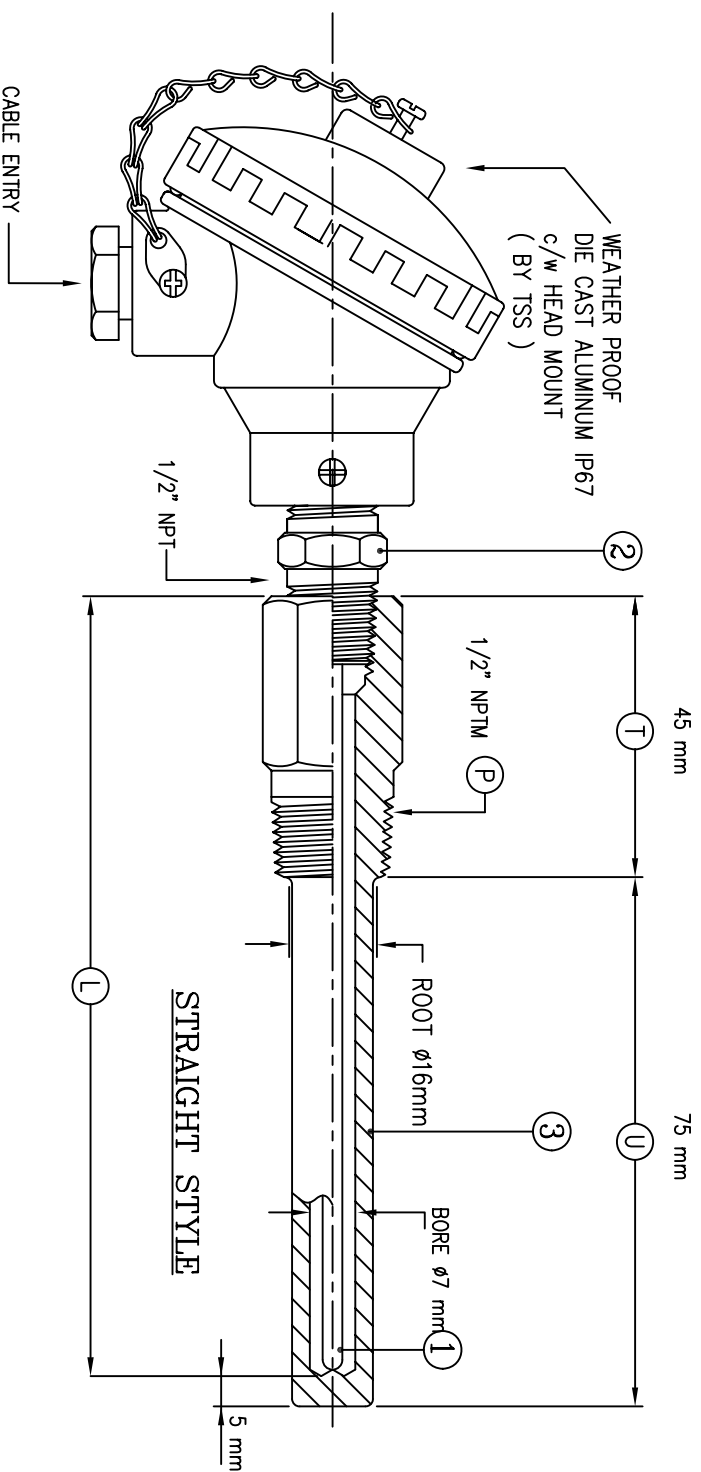


MANUFACTURE SPECIFICATION	
RTD SENSOR TOLERANCES	DIN 43760 / IEC-751 / BS 1904
RESISTANCE VALUES	100 ohm at 0° C @ = 0.00385
THERMOWELL BODIES	DRILL SOLID BAR STOCK (BY GUN DRILL)



6				JOB NO.		CUSTOMER :	PROJECT :
5				QUOTE REF.	EMAIL DD 06012016	SERMAX	
4				REQUEST BY:	KELVIN		
3	THERMOWELL	SS 316L	1	SOLID DRILLED BAR STOCK			
2	HEXAGON NIPPLE	SS 316	1	1/2" NPTM BOTH SIDES			
1	SENSOR SPRING LOADED	SS 316	1	PT 100, Ducl, 6 Wires, Class A			
NO.	ACCESSORY HARDWARE	MATERIAL	QTY.	DESCRIPTION	LOCATION	MALAYSIA	



TEMPERATURE SENSORS SERVICES PTE. LTD.

CUSTOMER :
SERMAX

PROJECT :
TITLE : TEMPERATURE SENSOR C/W THERMOWELL ASSEMBLY
DWG. NO. : EMAIL 06012016 REV 01
DATE : MAY 2016