

Changeover Valves

Type 06510 - Divertor Valve

HEROSE



Cryogenic Divertor Valves, bronze, PN50

for the installation of two safety valves,
provided for bursting disc connections,
"cleaned and degreased for oxygen service"

Part No. 06510.X.0000

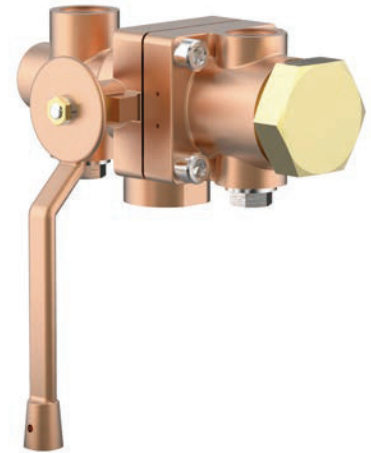
Female thread connection (G) acc. to ISO 228/1

Part No. 06510.X.6***

Female thread connection NPT acc. to ANSI B 1.20.1

Available Options - on request only:

- Two extra test connections 1/4" edgeways
- Inlet: female thread (GW) 3/4"
- Outlet GA₁ with installed locking sleeve for easy positioning of safety valves
- Combination of different outlet threads GA₁ - GA₂
- **Safety lock (Part No. 55394.0043.0765)**

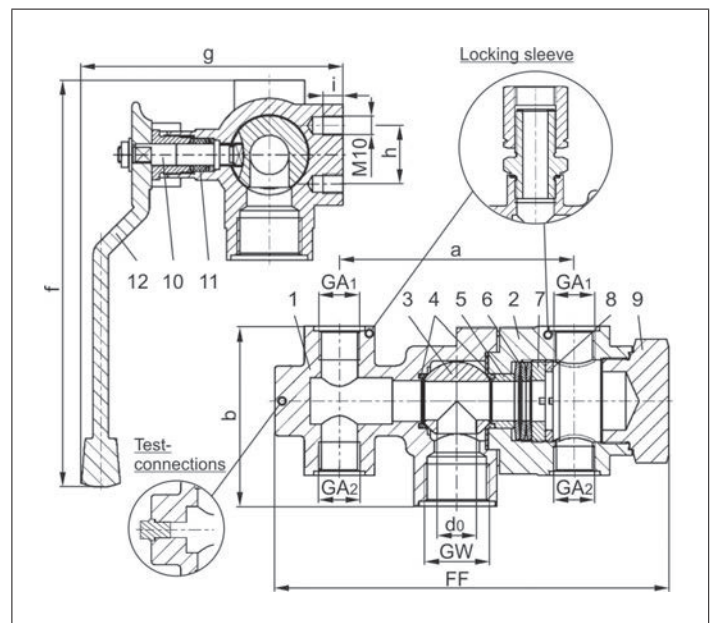


Applications:

Approved for air gases, vapours and cryogenic liquefied gases incl. LNG.

Working temperature: -196°C / -321°F (77K) up to +120°C / +248°F (393K)

Materials	DIN EN	ASTM
1 Body I	CC491K	B 62 UNS C83600
2 Body II	CC491K	B 62 UNS C83600
3 Ball	1.4571	A 276 Grade 316Ti
4 Seat rings	PCTFE	
5 Bush	CW614N	B 283 UNS C38500
6 Spring plates	1.4571	A 313 Grade 316Ti
7 Spring clamp	CW614N	B 283 UNS C38500
8 Thread ring	CW614N	B 283 UNS C38500
9 Plug	CW614N	B 283 UNS C38500
10 Stem	1.4301	A 276 Grade 304
11 Gland packing	Graphite / PTFE	
12 Lever	CC491K	B 62 UNS C83600



Type 06510 - Standard design	Technical Data		
Nominal Size	DN	20	20
Dimension code	.X.	2004	2006
Flow diameter	d ₀	20	20
Inlet	GW	1	1
Outlet	GA ₁	1/2	3/4
Outlet	GA ₂	1/2	1/2
Face-to-face dimension	FF	201	201
Length	a	120	120
Height	b	92	92
Length	f	208	208
Length	g	134	134
Length	h	30	30
Thread depth	i	10	10
Weight	ca. kg	4.8	4.7
Kvs - Value, one side open	m ³ /h	7.7	7.7
Cv - Value, one side open	gal /min	9.2	9.2

Dimensions in mm.

Important:

The valves must be fixed at the provided threads M10.

Changeover Valves

Type 06510 - Divertor Valve

HEROSE



Cryogenic Divertor Valves, bronze, PN50

for the installation of two safety valves,
provided for bursting disc connections,
"cleaned and degreased for oxygen service"

Artikel-Nr. 06510.X.0008

Inlet: union type braze fitting for pipe outside diameter 26.9mm

Outlet: female thread connection (G) acc. to ISO 228/1

Artikel-Nr. 06510.X.000*

Inlet: union type butt weld fitting, when order please indicate pipe diameter

Outlet: female thread connection (G) acc. to ISO 228/1

Artikel-Nr. 06510.X.6026

Inlet: union type butt weld fitting for pipe 33.4mm S10

Outlet: female thread connection NPT acc. to ANSI B 1.20.1

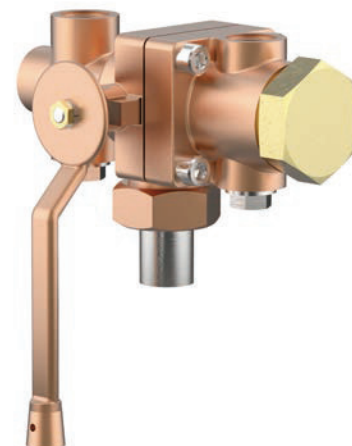
Available options - on request only:

- Two extra test connections 1/4" edgeways
- Inlet: union type braze or butt weld fitting for other pipe diameter
- Outlet GA₁ with installed locking sleeve for easy positioning of safety valves
- Combination of different outlet threads GA₁ - GA₂
- **Safety lock (Part No. 55394.0043.0765)**

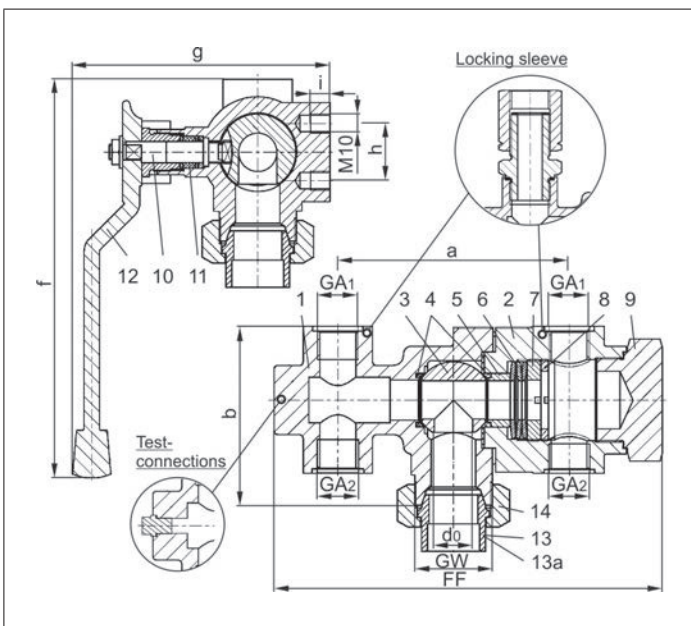
Applications:

Approved for air gases, vapours and cryogenic liquefied gases incl. LNG.

Working temperature: -196°C / -321°F (77K) up to +120°C / +248°F (393K)



Materials	DIN EN	ASTM
1 Body I	CC491K	B 62 UNS C83600
2 Body II	CC491K	B 62 UNS C83600
3 Ball	1.4571	A 276 Grade 316Ti
4 Seat rings	PCTFE	
5 Bush	CW614N	B 283 UNS C38500
6 Spring plates	1.4571	A 313 Grade 316Ti
7 Spring clamp	CW614N	B 283 UNS C38500
8 Thread ring	CW614N	B 283 UNS C38500
9 Plug	CW614N	B 283 UNS C38500
10 Stem	1.4301	A 276 Grade 304
11 Gland packing	Graphit / PTFE	
12 Lever	CC491K	B 62 UNS C83600
13 Braze fitting	CC493K	B 505 UNS C93200
13a Weld fitting	1.4301	A 276 Grade 304
14 Union nut	CC493K	B 505 UNS C93200



Type 06510 - Standard design	Technical data		
Nominal size	DN	20	20
Dimension code	.X.	2040	2060
Flow diameter	d ₀	20	20
Inlet	GW	M40x2	M40x2
Outlet	GA ₁	1/2	3/4
Outlet	GA ₂	1/2	1/2
Face-to-face dimension	FF	201	201
Length	a	120	120
Height	b	92	92
Length	f	208	208
Length	g	134	134
Length	h	30	30
Thread depth	i	10	10
Wrench size across flats	S ₁	50	50
Weight	ca. kg	5.1	5.0
Kvs - Value, one side open	m ³ /h	7.7	7.7
Cv - Value, one side open	gal /min	9.2	9.2

Dimensions in mm.

Edition 2015-04

Important:

The valves must be fixed at the provided threads M10.



Changeover Valves

Type 06510 - Divertor Valve

HEROSE



Cryogenic Divertor Valves, bronze, PN50

for the installation of two safety valves,
provided for bursting disc connections,
"cleaned and degreased for oxygen service"

Artikel-Nr. 06510.X.0120

Female thread connection (G) acc. to ISO 228/1

Artikel-Nr. 06510.X.6000

Female thread connection NPTF acc. to ANSI B 1.20.1

Available Options - on request only:

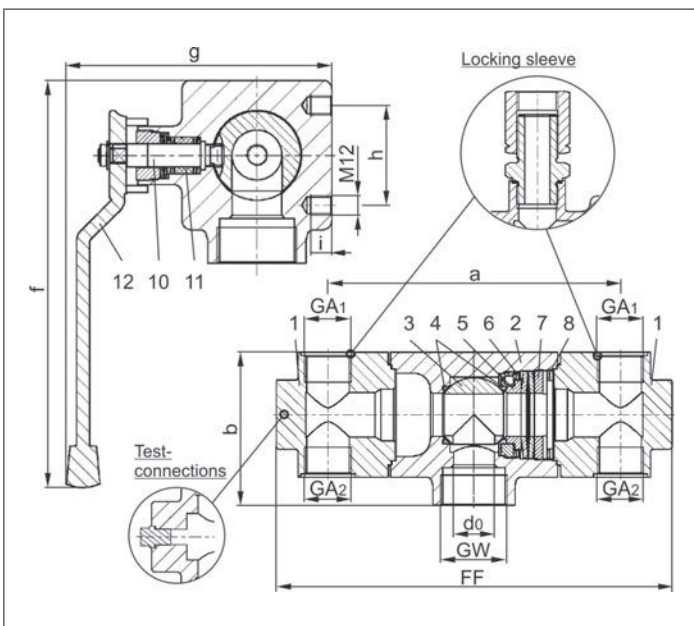
- Inlet with union type braze or butt weld fitting
- Two extra test connections 1/4" edgeways
- Outlet GA₁ with installed locking sleeve for easy positioning of safety valves
- Combination of different outlet threads GA₁ - GA₂
- **Safety lock (Part No. 55394.0049.0765)**

Applications:

Approved for air gases, vapours and cryogenic liquefied gases incl. LNG.

Working temperature: -196°C / -321°F (77K) up to +120°C / +248°F (393K)

Materials	DIN EN	ASTM
1 Body I	CC491K	B 62 UNS C83600
2 Body II	CC491K	B 62 UNS C83600
3 Ball	1.4571	A 276 Grade 316Ti
4 Seat rings	PCTFE	
5 Bush	CW614N	B 283 UNS C38500
6 Spring plates	1.4571	A 313 Grade 316Ti
7 Spring clamp	CW614N	B 283 UNS C38500
8 Thread ring	CW614N	B 283 UNS C38500
10 Stem	1.4301	A 276 Grade 304
11 Gland packing	Graphit / PTFE	
12 Lever	CC491K	B 62 UNS C83600



Standard marking acc. to Pressure Equipment Directive 97/23/EC (PED).



Type 06510 - Standard design	Technical data			
Nominal size	DN	32	32	32
Dimension code	.X.	3210	3212	3214
Flow diameter	d ₀	23	23	23
Inlet	GW	1-1/2	1-1/2	1-1/2
Outlet	GA ₁	1	1-1/4	1-1/2
Outlet	GA ₂	1	1-1/4	1-1/2
Face-to-face dimension	FF	300	284	284
Length	a	210	210	210
Height	b	110	145	145
Length	f	245	245	245
Length	g	160	160	160
Length	h	60	60	60
Thread depth	i	12.5	12.5	12.5
Weight	ca. kg	12.2	13.5	13.5
Kvs - Value, one side open	m ³ /h	16.7	16.7	16.7
Cv - Value, one side open	gal /min	19.4	19.4	19.4

Dimensions in mm.

Important:

The valves must be fixed at the provided threads M12.

Changeover Valves

Type 06512 - Divertor Valve



Cryogenic Divertor Valves, bronze, PN50

for the installation of four safety valves,
provided for bursting disc connections,
"cleaned and degreased for oxygen service"

Artikel-Nr. 06512.X.0000

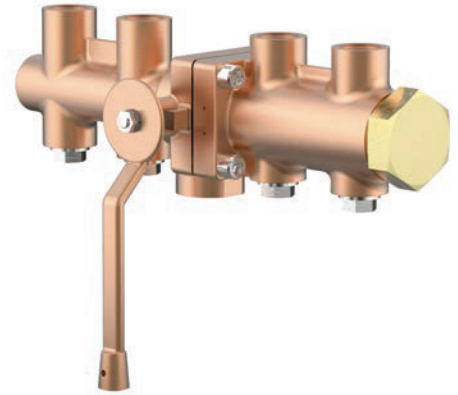
Female thread connection (G) acc. to ISO 228/1

Artikel-Nr. 06512.X.6000

Female thread connection NPTF acc. to ANSI B 1.20.1

Available Options - on request only:

- Inlet with union type braze or butt weld fitting
- Two extra test connections 1/4" edgeways
- Inlet: female thread (GW) 1/2" or 3/4"
- Outlet GA₁ with installed locking sleeve for easy positioning of safety valves
- Combination of different outlet threads GA₁ - GA₂
- **Safety lock (Part No. 55394.0043.0765)**

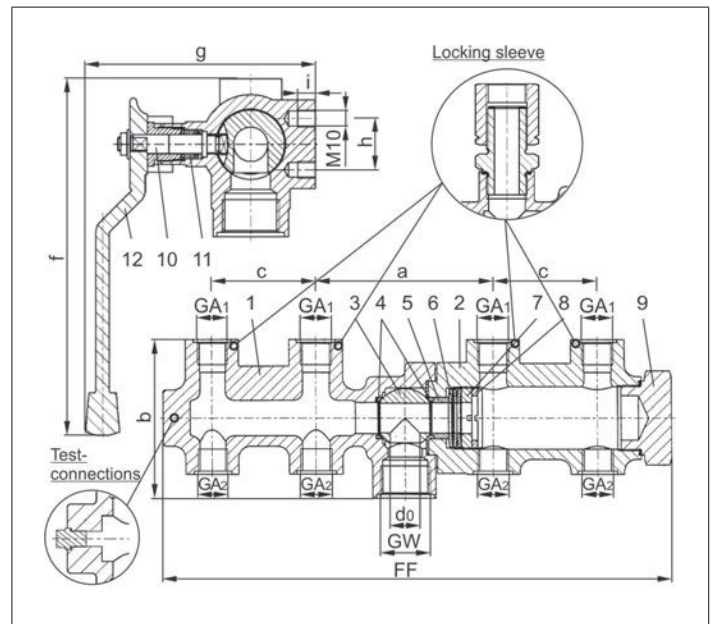


Applications:

Approved for air gases, vapours and cryogenic liquefied gases incl. LNG.

Working temperature: -196°C / -321°F (77K) up to +120°C / +248°F (393K)

Materials	DIN EN	ASTM
1 Body I	CC491K	B 62 UNS C83600
2 Body II	CC491K	B 62 UNS C83600
3 Ball	1.4571	A 276 Grade 316Ti
4 Seat rings	PCTFE	
5 Bush	CW614N	B 283 UNS C38500
6 Spring plates	1.4571	A 313 Grade 316Ti
7 Spring clamp	CW614N	B 283 UNS C38500
8 Thread ring	CW614N	B 283 UNS C38500
9 Plug	CW614N	B 283 UNS C38500
10 Stem	1.4301	A 276 Grade 304
11 Gland packing	Graphit / PTFE	
12 Lever	CC491K	B 62 UNS C83600



Type 06512 - Standard design	Technical data		
Nominal size	DN	20	20
Dimension code	.X.	2004	2006
Flow diameter	d ₀	20	20
Inlet	GW	1	1
Outlet	GA ₁	1/2	3/4
Outlet	GA ₂	1/2	1/2
Face-to-face dimension	FF	345	345
Length	a	120	120
Height	b	107	107
Length	c	70	70
Length	f	223	223
Length	g	134	134
Length	h	30	30
Thread depth	i	10	10
Weight	ca. kg	7.2	7.1
Kvs - Value, one side open	m ³ /h	7.7	7.7
Cv - Value, one side open	gal /min	9.2	9.2

Important:

The valves must be fixed at the provided threads M10.

Dimensions in mm.

Edition 2015-04



Changeover Valves

Type 06520 - Divertor Valve



Cryogenic Divertor Valves, stainless steel, inner parts made of brass, PN50

for the installation of two safety valves,
provided for bursting disc connections,
"cleaned and degreased for oxygen service"

Part No. 06520.X.0000

Female thread connection (G) acc. to ISO 228/1

Part No. 06520.X.6***

Female thread connection NPT acc. to ANSI B 1.20.1



Available Options - on request only:

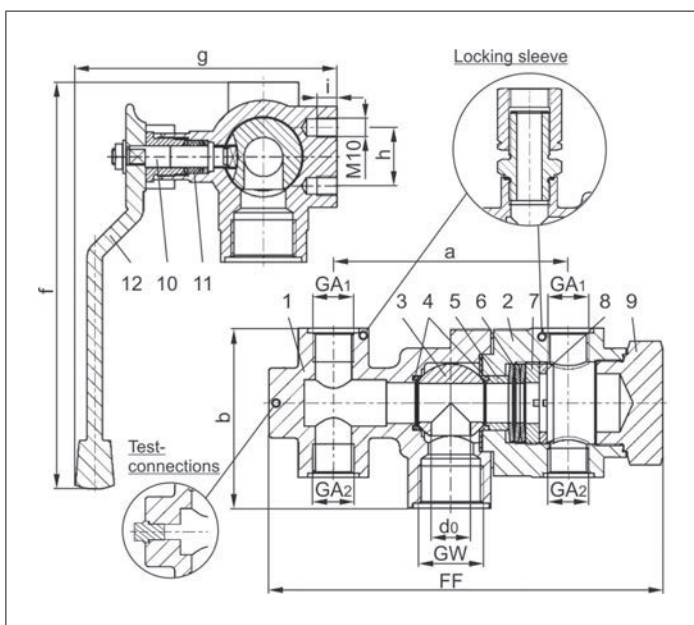
- Two extra test connections 1/4" edgeways
- Inlet: female thread (GW) 3/4"
- Outlet GA₁ with installed locking sleeve for easy positioning of safety valves
- Combination of different outlet threads GA₁ - GA₂
- **Safety lock (Part No. 55394.0043.0765)**

Applications:

Approved for air gases, vapours and cryogenic liquefied gases incl. LNG.

Working temperature: -196°C / -321°F (77K) up to +120°C / +248°F (393K)

Materials	DIN EN	ASTM
1 Body I	1.4308	A 351 CF8
2 Body II	1.4308	A 351 CF8
3 Ball	1.4571	A 276 Grade 316Ti
4 Seat rings	PCTFE	
5 Bush	CW614N	B 283 UNS C38500
6 Spring plates	1.4571	A 313 Grade 316Ti
7 Spring clamp	CW614N	B 283 UNS C38500
8 Thread ring	CW614N	B 283 UNS C38500
9 Plug	1.4408	A 351 CF8M
10 Stem	1.4301	A 276 Grade 304
11 Gland packing	Graphite / PTFE	
12 Lever	1.4308	A 351 CF8



Type 06520 - Standard design	Technical Data		
Nominal Size	DN	20	20
Dimension code	.X.	2004	2006
Flow diameter	d ₀	20	20
Inlet	GW	1	1
Outlet	GA ₁	1/2	3/4
Outlet	GA ₂	1/2	1/2
Face-to-face dimension	FF	201	201
Length	a	120	120
Height	b	92	92
Length	f	208	208
Length	g	134	134
Length	h	30	30
Thread depth	i	10	10
Weight	ca. kg	4.8	4.7
Kvs - Value, one side open	m ³ /h	7.7	7.7
Cv - Value, one side open	gal /min	9.2	9.2

Dimensions in mm.

Important:

The valves must be fixed at the provided threads M10.

Changeover Valves

Type 06530 - Divertor Valve



Cryogenic Divertor Valves, stainless steel, PN50

for the installation of two safety valves,
provided for bursting disc connections,
"cleaned and degreased for oxygen service"

Part No. 06530.X.0000

Female thread connection (G) acc. to ISO 228/1

Part No. 06530.X.6***

Female thread connection NPT acc. to ANSI B 1.20.1



Available Options - on request only:

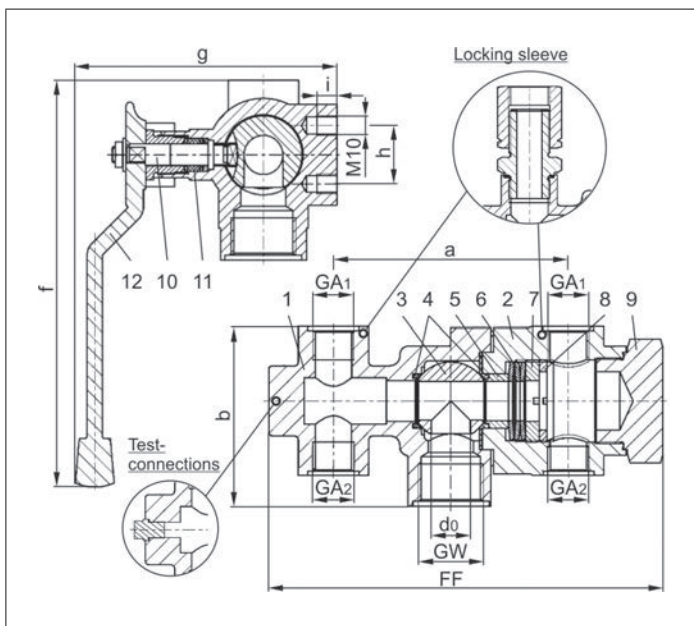
- Two extra test connections 1/4" edgeways
- Inlet: female thread (GW) 3/4"
- Outlet GA₁ with installed locking sleeve for easy positioning of safety valves
- Combination of different outlet threads GA₁ - GA₂
- **Safety lock (Part No. 55394.0043.0765)**

Applications:

Approved for air gases, vapours and cryogenic liquefied gases incl. LNG.

Working temperature: -196°C / -321°F (77K) up to +120°C / +248°F (393K)

Materials	DIN EN	ASTM
1 Body I	1.4308	A 351 CF8
2 Body II	1.4308	A 351 CF8
3 Ball	1.4571	A 276 Grade 316Ti
4 Seat rings	PCTFE	
5 Bush	1.4301	A 276 Grade 304
6 Spring plates	1.4571	A 313 Grade 316Ti
7 Spring clamp	1.4571	A 276 Grade 316Ti
8 Thread ring	1.4571	A 276 Grade 316Ti
9 Plug	1.4408	A 351 CF8M
10 Stem	1.4301	A 276 Grade 304
11 Gland packing	Graphite / PTFE	
12 Lever	1.4308	A 351 CF8



Type 06530 - Standard design	Technical Data		
Nominal Size	DN	20	20
Dimension code	.X.	2004	2006
Flow diameter	d ₀	20	20
Inlet	GW	1	1
Outlet	GA ₁	1/2	3/4
Outlet	GA ₂	1/2	1/2
Face-to-face dimension	FF	201	201
Length	a	120	120
Height	b	92	92
Length	f	208	208
Length	g	134	134
Length	h	30	30
Thread depth	i	10	10
Weight	ca. kg	4.8	4.7
Kvs - Value, one side open	m ³ /h	7.7	7.7
Cv - Value, one side open	gal /min	9.2	9.2

Dimensions in mm.

Edition 2015-04

Important:

The valves must be fixed at the provided threads M10.



Changeover Valves

Type 06405 - Changeover Valve



Cryogenic Changeover Valves, brass

for the installation of two safety valves,
with indicator and two test connections G 1/4,
"cleaned and degreased for oxygen service"

Part No. 06405.0150.0000, DN15, PN40, metal to metal seated
Female thread connection (G) acc. to ISO 228/1

Part No. 06405.0150.6000, DN15, PN40, metal to metal seated
Female thread connection NPTF acc. to ANSI B 1.20.1

Part No. 06405.0250.0000, DN25, PN45, PTFE valve seal
Female thread connection (G) acc. to ISO 228/1

Part No. 06405.0250.6000, DN25, PN45, PTFE valve seal
Female thread connection NPTF acc. to ANSI B 1.20.1



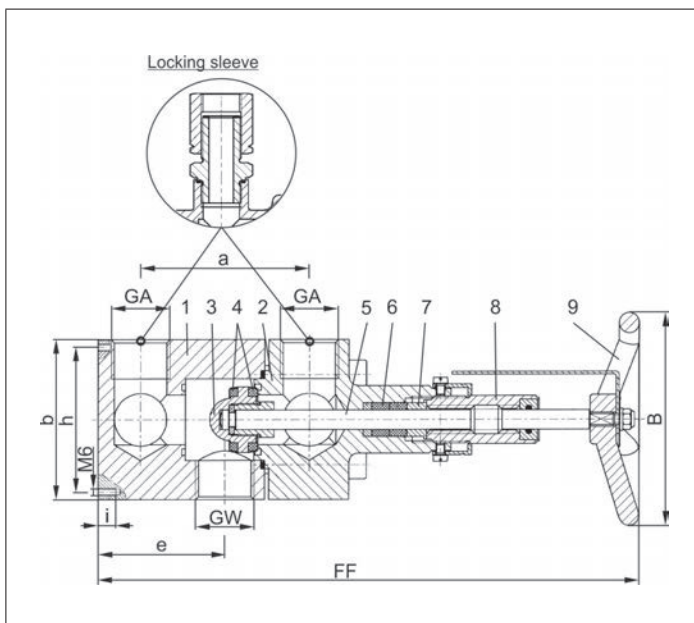
Available options - on request only:

- Valve with bursting disc connections
- Outlet: GA with installed locking sleeve for easy positioning of safety valves
- Outlet: GA with thread 3/4"

Applications:

Approved for air gases, vapours and cryogenic liquefied gases incl. LNG.
Working temperature: -196°C / -321°F (77K) up to +185°C / +365°F (458K)

Materials	DIN EN	ASTM
1 Body I	CW509L	B 111 UNS C28000
2 Body II	CW509L	B 111 UNS C28000
3 Disc	1.4301	A 276 Grade 304
4 Valve seal DN25	PTFE	
5 Stem	1.4301	A 276 Grade 304
6 Gland packing	Graphite / PTFE	
7 Top ring	CW614N	B 283 UNS C38500
8 Gland nut DN15	CW710R	no reference
8 Gland nut DN25	CW614N	B 283 UNS C38500
9 Handwheel	Aluminium alloy	



Type 06405 - Standard design	Technical data		
Nominal size	DN	15	25
Dimension code	.X.	0150	0250
Inlet	GW	3/4	1
Outlet	GA	1/2	1
Face-to-face dimension	FF	240	310
Length	a	80	96
Length	b	65	90
Length	e	50	72
Length	h	55	80
Thread depth	i	12	12
Handwheel-Ø	B	100	120
Weight	ca. kg	4.1	9.5
Kvs - Value, one side open	m ³ /h	6.0	14.0
Cv - Value, one side open	gal /min	6.9	16.1
Kvs - Value, central position	m ³ /h	13.0	25.0
Cv - Value, central position	gal /min	15.0	28.9

Dimensions in mm.

Important:

The valves must be fixed at the provided threads M6.

Changeover Valves

Type 06401 - Changeover Valve DN15



Cryogenic Changeover Valves, stainless steel, PN125

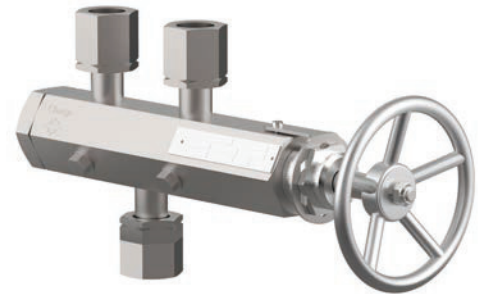
for the installation of two safety valves,
with two test connections G 1/4,
"cleaned and degreased for oxygen service"

Part No. 06401.0150.0000

In- and Outlet: locking sleeve G 3/4

Part No. 06401.0150.9***

*** Changeover valves with other threads for
vessel or safety valve connection on request



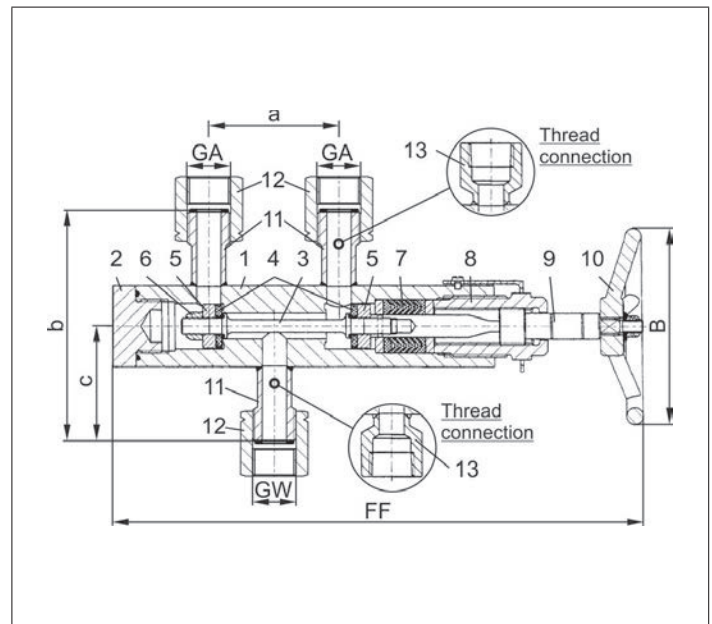
Available options - on request only:

- Changeover valves with pneumatic or electric actuator
- Inlet GW and/or outlet GA with female thread (G) acc. to ISO 228/1
- Inlet GW and/or outlet GA with female thread NPT acc. to ANSI B 1.20.1
- Combination of different thread connections GW - GA

Applications:

Approved for air gases, vapours and cryogenic liquefied gases incl. LNG.
Working temperature: -196°C / -321°F (77K) up to +185°C / +365°F (458K)

Materials	DIN EN	ASTM
1 Body	1.4571	A 276 Grade 316Ti
2 Plug	1.4571	A 276 Grade 316Ti
3 Disc stem	1.4571	A 276 Grade 316Ti
4 Valve seal	PTFE / Carbon filled (25%)	
5 Disc	1.4571	A 276 Grade 316Ti
6 Disc nut	1.4301/A2	A 194 B8
7 Gland packing	PTFE / Carbon filled (25%)	
8 Head piece	CW452K nickel plated	B 159 UNS C51900 nickel plated
9 Stem	1.4571	A 276 Grade 316Ti
10 Handwheel	Aluminium alloy	
11 Welding piece	1.4571	A 276 Grade 316Ti
12 Locking sleeve	1.4571	A 276 Grade 316Ti
13 Thread connection	1.4571	A 276 Grade 316Ti



Typ 06401 - Standard design	Technical data	
Nominal size	DN	15
Inlet	GW	G 3/4 LH
Outlet	GA	G 3/4 LH
Face-to-face dimension	FF	325
Handwheel-Ø	B	120
Length	a	80
Height	b	140
Length	c	70
Weight	ca. kg	5.0
Kvs - Value, one side open	m ³ /h	4.0
Cv - Value, one side open	gal /min	4.6
Kvs - Value, central position	m ³ /h	5.8
Cv - Value, central position	gal /min	6.7

Dimensions in mm.



Changeover Valves

Type 06401 - Changeover Valve DN15



Cryogenic Changeover Valves, stainless steel, PN160

for the installation of two safety valves,
with two test connections G 1/4,
"cleaned and degreased for oxygen service"

Part No. 06401.0150.9029

Inlet: Flange, DN15, PN 160
Outlet: locking sleeve G 3/4

Part No. 06401.0150.9***

*** Changeover valves with other flanges for vessel connection
and threaded connection for safety valves on request



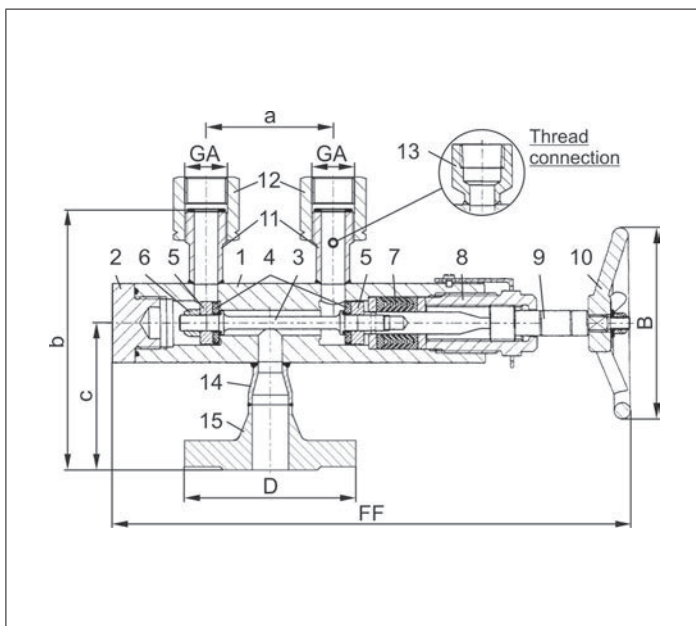
Available options - on request only:

- Changeover valves with pneumatic or electric actuator
- Outlet GA with female thread (G) acc. to ISO 228/1
- Outlet GA with female thread NPT acc. to ANSI B 1.20.1
- Outlet GA with flanged connections

Applications:

Approved for air gases, vapours and cryogenic liquefied gases incl. LNG.
Working temperature: -196°C / -321°F (77K) up to +185°C / +365°F (458K)

Materials	DIN EN	ASTM
1 Body	1.4571	A 276 Grade 316Ti
2 Plug	1.4571	A 276 Grade 316Ti
3 Disc stem	1.4571	A 276 Grade 316Ti
4 Valve seal	PTFE / Carbon filled (25%)	
5 Disc	1.4571	A 276 Grade 316Ti
6 Disc nut	1.4301/A2	A 194 B8
7 Gland packing	PTFE / Carbon filled (25%)	
8 Head piece	CW452K nickel plated	B 159 UNS C51900 nickel plated
9 Stem	1.4571	A 276 Grade 316Ti
10 Handwheel	Aluminium alloy	
11 Welding piece	1.4571	A 276 Grade 316Ti
12 Locking sleeve	1.4571	A 276 Grade 316Ti
13 Thread connection	1.4571	A 276 Grade 316Ti
14 Adapter	1.4571	A 276 Grade 316Ti
15 Flange	1.4571	A 276 Grade 316Ti



Type 06401 - Standard design	Technical data	
Nominal size	DN	15
Flange diameter	D	105
Outlet	GA	G 3/4 LH
Face-to-face dimension	FF	325
Handwheel-Ø	B	120
Length	a	80
Height	b	170
Length	c	100
Weight	ca. kg	6.0
Kvs - Value, one side open	m ³ /h	4.0
Cv - Value, one side open	gal /min	4.6
Kvs - Valve, central position	m ³ /h	5.8
Cv - Valve, central position	gal /min	6.7

Dimensions in mm.

Changeover Valves

Type 06401 - Changeover Valve DN25



Cryogenic Changeover Valves, stainless steel, PN125

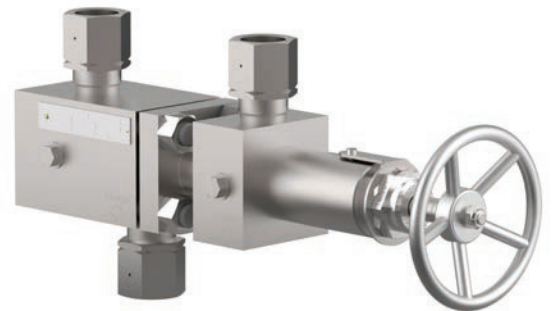
for the installation of two safety valves,
with two test connections G 1/4,
"cleaned and degreased for oxygen service"

Part No. 06401.0250.9045

In- and Outlet: locking sleeve G 1

Part No. 06401.0250.9***

*** Changeover valves with other threads for
vessel or safety valve connection on request



Available options - on request only:

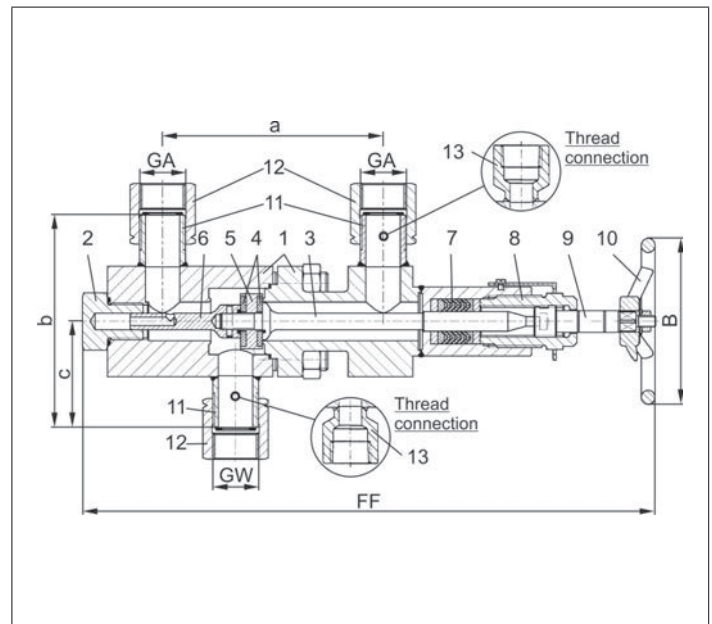
- Changeover valves with pneumatic or electric actuator
- Inlet GW and/or outlet GA with female thread (G) acc. to ISO 228/1
- Inlet GW and/or outlet GA with female thread NPT acc. to ANSI B 1.20.1
- Combination of different thread connections GW - GA

Applications:

Approved for air gases, vapours and cryogenic liquefied gases incl. LNG.

Working temperature: -196°C / -321°F (77K) up to +185°C / +365°F (458K)

Materials	DIN EN	ASTM
1 Body	1.4571	A 276 Grade 316Ti
2 Plug	1.4571	A 276 Grade 316Ti
3 Disc stem	1.4571	A 276 Grade 316Ti
4 Valve seal	PCTFE	
5 Disc	1.4571	A 276 Grade 316Ti
6 Disc stem	1.4571	A 276 Grade 316Ti
7 Gland packing	PTFE / Carbon filled (25%)	
8 Head piece	CW452K nickel plated	B 159 UNS C51900 nickel plated
9 Stem	1.4571	A 276 Grade 316Ti
10 Handwheel	Aluminium alloy	
11 Welding piece	1.4571	A 276 Grade 316Ti
12 Locking sleeve	1.4571	A 276 Grade 316Ti
13 Thread connection	1.4571	A 276 Grade 316Ti



Typ 06401 - Standard design	Technical data	
Nominal size	DN	25
Inlet	GW	G 1 LH
Outlet	GA	G 1 LH
Face-to-face dimension	FF	415
Handwheel-Ø	B	120
Length	a	160
Height	b	160
Length	c	80
Weight	ca. kg	11.7
Kvs - Value, one side open	m ³ /h	13.0
Cv - Value, one side open	gal /min	15.0
Kvs - Value, central position	m ³ /h	15.5
Cv - Value, central position	gal /min	17.9

Dimensions in mm.



Changeover Valves

Type 06401 - Changeover Valve DN25



Cryogenic Changeover Valves, stainless steel, PN160

for the installation of two safety valves,
with two test connections G 1/4,
"cleaned and degreased for oxygen service"

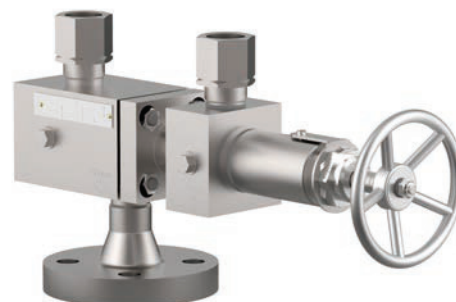
Part No. 06401.0250.9018

Inlet Flange, DN 25, PN 160

Outlet: locking sleeve G1

Part No. 06401.0250.9***

*** Changeover valves with other flanges for vessel connection
and connection for safety valves on request



Available options - on request only:

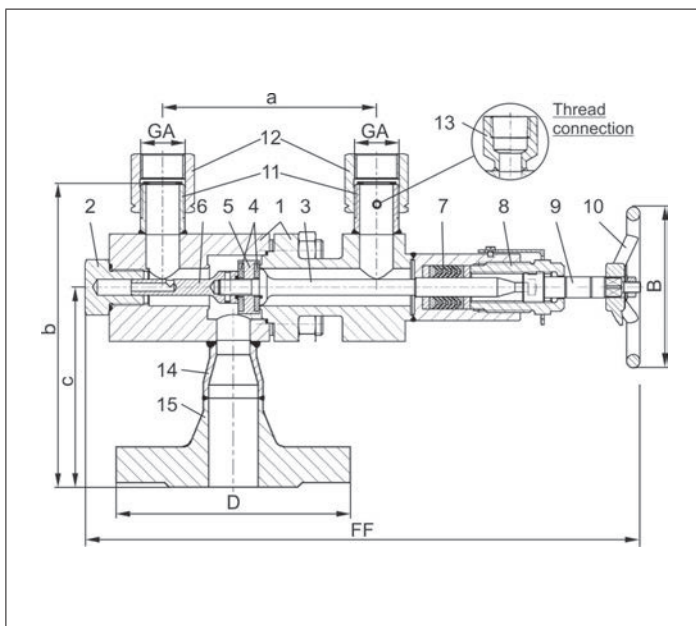
- Changeover valves with pneumatic or electric actuator
- Outlet GA with female thread (G) acc. to ISO 228/1
- Outlet GA with female thread NPT acc. to ANSI B 1.20.1
- Outlet GA with flanged connections

Applications:

Approved for air gases, vapours and cryogenic liquefied gases incl. LNG.

Working temperature: -196°C / -321°F (77K) up to +185°C / +365°F (458K)

Materials	DIN EN	ASTM
1 Body	1.4571	A 276 Grade 316Ti
2 Plug	1.4571	A 276 Grade 316Ti
3 Disc stem	1.4571	A 276 Grade 316Ti
4 Valve seal	PCTFE	
5 Disc	1.4571	A 276 Grade 316Ti
6 Disc stem	1.4571	A 276 Grade 316Ti
7 Gland packing	PTFE / Carbon filled (25%)	
8 Head piece	CW452K nickel plated	B 159 UNS C51900 nickel plated
9 Stem	1.4571	A 276 Grade 316Ti
10 Handwheel	Aluminium alloy	
11 Welding piece	1.4571	A 276 Grade 316Ti
12 Locking sleeve	1.4571	A 276 Grade 316Ti
13 Thread connection	1.4571	A 276 Grade 316Ti
14 Adapter	1.4571	A 276 Grade 316Ti
15 Flange	1.4571	A 276 Grade 316Ti



Type 06401 - Standard design	Technical data	
Nominal size	DN	25
Flange diameter	D	140
Outlet	GA	G 1 LH
Face-to-face dimension	FF	415
Handwheel-Ø	B	120
Length	a	160
Height	b	200
Length	c	125
Weight	ca. kg	14.1
Kvs - Value, one side open	m ³ /h	13.0
Cv - Value, one side open	gal /min	15.0
Kvs - Valve, central position	m ³ /h	15.5
Cv - Valve, central position	gal /min	17.9

Dimensions in mm.

Changeover Valves

Type 06401 - Bellow Sealed Changeover Valve



Cryogenic Bellow Sealed Changeover Valves, stainless steel, PN63

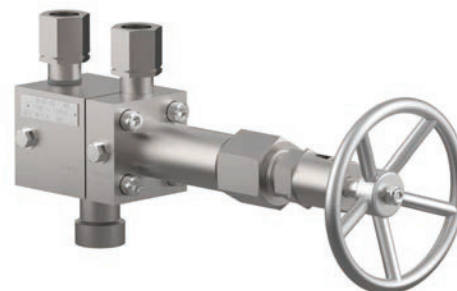
for the installation of two safety valves,
with indicator and two test connections G 1/4,
"cleaned and degreased for oxygen service"

Part No. 06401.0150.9***

*** In- and outlet connections with locking sleeve, female thread or flanges on request, working pressure up to PN100

Part No. 06401.0250.9***

*** In- and outlet connections with locking sleeve, female thread or flanges on request, working pressure up to PN63



Available options - on request only:

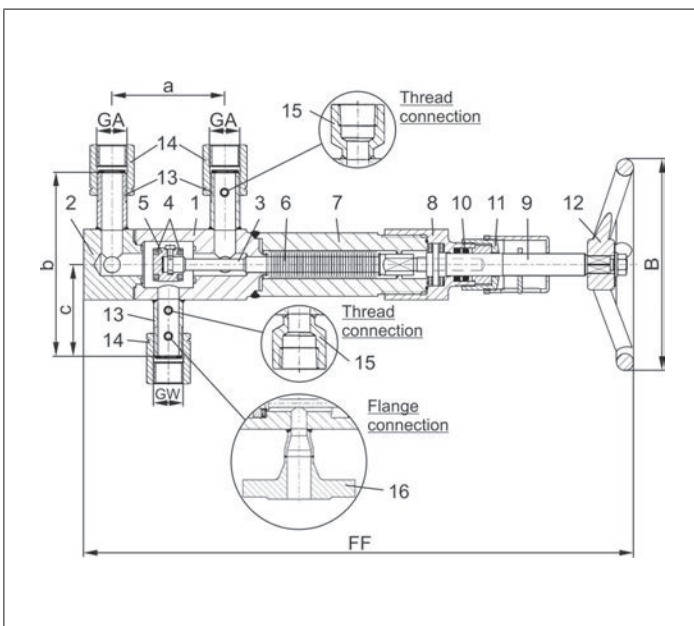
- Changeover valves with pneumatic or electric actuator

Applications:

Approved for air gases, vapours and cryogenic liquefied gases incl. LNG.

Working temperature: -196°C / -321°F (77K) up to +185°C / +365°F (458K)

Materials	DIN EN	ASTM
1 Body I	1.4571	A 276 Grade 316Ti
2 Body II	1.4571	A 276 Grade 316Ti
3 Bellow stem	1.4571	A 276 Grade 316Ti
4 Valve seal	PCTEF	
5 Disc	1.4571	A 276 Grade 316Ti
6 Bellow	1.4571	A 276 Grade 316Ti
7 Upper part I	1.4571	A 276 Grade 316Ti
8 Upper part II	1.4571	A 276 Grade 316Ti
9 Stem	CW452K	B 159 UNS C51900
10 O-Rings	FPM (VITON)	
11 Top ring	1.4571	A 276 Grade 316Ti
12 Handwheel	Aluminium alloy	
13 Welding piece	1.4571	A 276 Grade 316Ti
14 Locking sleeve	1.4571	A 276 Grade 316Ti
15 Thread connection	1.4571	A 276 Grade 316Ti
16 Flange	1.4571	A 276 Grade 316Ti



Typ 06401 - Standard design		Technical data	
Nominal size	DN	15	25
Dimension code	.X.	0150	0250
Inlet	GW	G 3/4 LH	G 1 LH
Outlet	GA	G 3/4 LH	G1 LH
Face-to-face dimension	FF	390	390
Handwheel-Ø	B	150	150
Length	a	80	80
Height	b	130	160
Length	c	65	80
Weight	ca. kg	8.0	9.9
Kvs - Value, one side open	m ³ /h	9.5	13.0
Cv - Value, one side open	gal /min	11.0	15.0
Kvs - Value, central position	m ³ /h	13.5	15.5
Cv - Value, central position	gal /min	15.6	17.9

Dimensions in mm.

