

# Spare Parts Valves and Fill Cluster

## Type 28203 - Disc complete



### for Cryogenic-Globe Valves

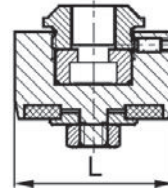
brass disc CW614N

"cleaned and degreased for oxygen service"

### Part No. 28203.X.0000

suitable for:

Type	Nominal size
01301, 01311	DN10 - DN50
01305, 01315, 02401, 02411	DN10 - DN50
01331	DN10 - DN100
01321	DN10 - DN150
01332, 01322	DN10 - DN50
01335, 01325	DN10 - DN50
03331, 03321	DN25 - DN150



Type 28203.X.0000		Technical data											
Nominal size	DN	10	15	20	25	32	40	50	65	80	100	150	
Dimension code	.X.	0100	0150	0200	0250	0320	0400	0500	0650	0800	1000	1500	
Disc Ø	L	23	25	30	34.5	42	47	55	73	86	104	155	
Weight	ca. kg	0.05	0.06	0.09	0.12	0.18	0.22	0.30	0.55	0.75	1.05	3.10	

Dimensions in mm.

### for Cryogenic-Globe Valves

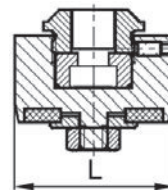
stainless steel disc 1.4301

"cleaned and degreased for oxygen service"

### Part No. 28203.X.0765

suitable for:

Type	Nominal size
01351	DN10 - DN100
01341	DN10 - DN200
01352, 01342	DN15 - DN50
01355, 01345	DN10 - DN50
03351, 03341	DN25 - DN150
01353	DN40 - DN80



Type 28203.X.0765		Technical data												
Nominal size	DN	10	15	20	25	32	40	50	65	80	100	150	200	
Dimension code	.X.	0100	0150	0200	0250	0320	0400	0500	0650	0800	1000	1500	2000	
Disc Ø	L	23	25	30	34.5	42	47	55	73	86	104	155	217	
Weight	ca. kg	0.05	0.06	0.09	0.12	0.18	0.22	0.30	0.55	0.75	1.05	3.10	9.28	

Dimensions in mm.

# Spare Parts Valves and Fill Cluster

## Type 28203, Type 28205 - Check Disc complete



### for Cryogenic-Globe/Check Valves

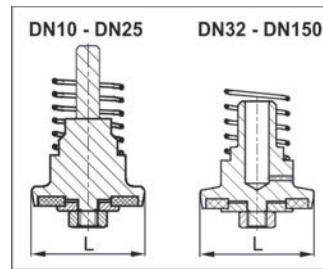
brass check disc CW614N

"cleaned and degreased for oxygen service"

#### Part No. 28203.X.5000

suitable for:

Type	Nominal size
01301, 01311	DN10 - DN50
01305, 01315, 02401, 02411	DN10 - DN50
01331	DN10 - DN100
01321	DN10 - DN150
01332, 01322, 01335, 01325	DN10 - DN50
03331, 03321	DN25 - DN150



Type 28203.X.5000	Technical data											
Nominal size	DN	10	15	20	25	32	40	50	65	80	100	150
Dimension code	.X.	0100	0150	0200	0250	0320	0400	0500	0650	0800	1000	1500
Disc Ø	L	23	25	30	34.5	42	47	55	73	86	104	155
Weight	ca. kg	0.05	0.07	0.09	0.10	0.15	0.20	0.34	0.48	0.66	1.05	3.28

Dimensions in mm.

### for Cryogenic-Globe/Check Valves

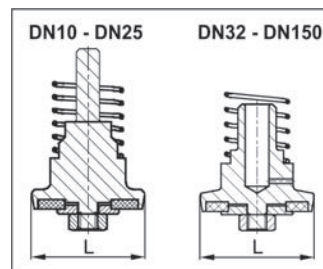
stainless steel check disc 1.4301

"cleaned and degreased for oxygen service"

#### Part No. 28205.X.5000

suitable for:

Type	Nominal size
01351	DN10 - DN100
01341	DN10 - DN150
01352, 01342	DN15 - DN50
01355, 01345	DN10 - DN50
03351, 03341	DN25 - DN150



Type 28205.X.5000	Technical data											
Nominal size	DN	10	15	20	25	32	40	50	65	80	100	150
Dimension code	.X.	0100	0150	0200	0250	0320	0400	0500	0650	0800	1000	1500
Disc Ø	L	23	25	30	34.5	42	47	55	73	86	104	155
Weight	ca. kg	0.05	0.07	0.09	0.10	0.15	0.20	0.34	0.48	0.66	1.05	3.28

Dimensions in mm.

# Spare Parts Valves and Fill Cluster

## Type 29240 - Disc complete



### for Cryogenic-Gate Valves

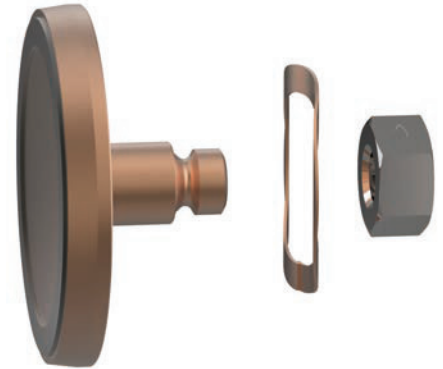
brass disc CW452K  
 "cleaned and degreased for oxygen service"

### Part No. 29240.X.0000

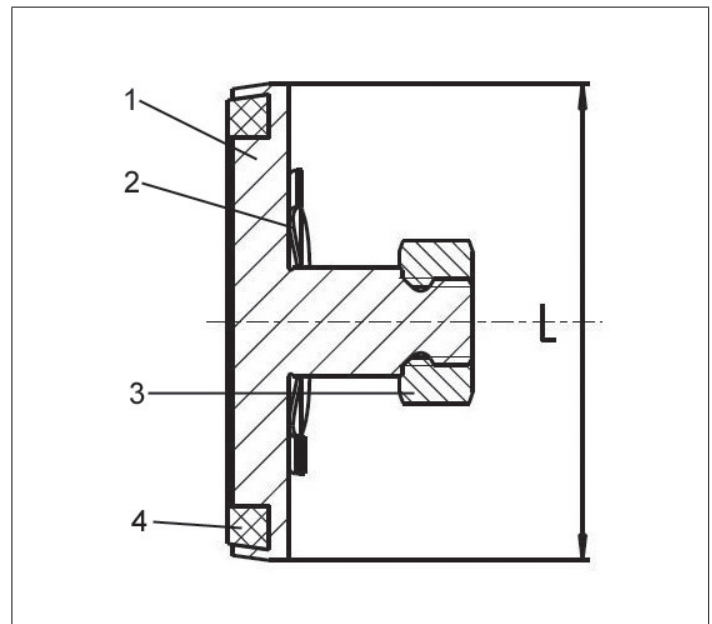
consisting of:  
 1 x Disc complete (incl. disc seal PTFE/Carbon filled (25%))  
 1 x Spring ring  
 1 x Disc nut self locking

### suitable for:

Type	Nominal size
09340, 09343	DN25 - DN100



Materials	DIN EN	ASTM
1 Disc	CW452K	B 159 UNS C51900
2 Spring ring	1.4568	UNS 631
3 Nut	1.4301/A2 A 194 B8	
4 Valve seal	PTFE / Carbon filled (25%)	



Type 29240	Technical data						
Nominal size	DN	25	40	50	65	80	100
Dimension code	.X.	0250	0400	0500	0650	0800	1000
Disc-Ø	L	34	44	55	70	78	107
Weight	ca. kg	0.05	0.08	0.15	0.18	0.20	0.56

Dimensions in mm.

# Spare Parts Valves and Fill Cluster

## Type 29256 - Wedge complete



### for Cryogenic-Gate Valves

"cleaned and degreased for oxygen service"

### Part No. 29256.X.0000

consisting of:

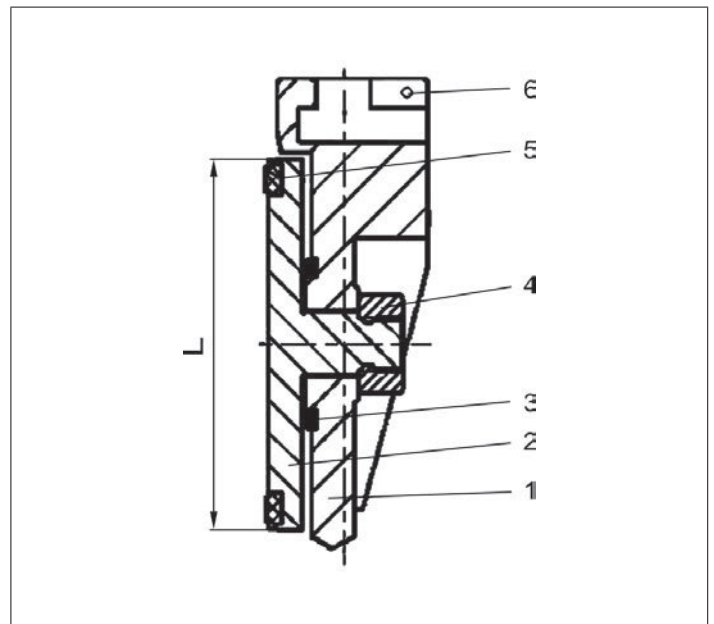
- 1 x Wedge
- 1 x Disc complete (incl. disc seal PTFE/Carbon filled (25%))
- 1 x Spring ring
- 1 x Disc nut self locking
- 1 x bearing bolt

suitable for:

Type	Nominal size
09340, 09343	DN25 - DN100



Materials	DIN EN	ASTM
1 Wedge	1.4308	A 351 CF8
2 Disc	CW452K	B 159 UNS C51900
3 Spring ring	1.4568	UNS 631
4 Nut	1.4301/A2	A 194 B8
5 Valve seal	PTFE / Carbon filled (25%)	
6 Bearing bolt	1.4301	A 276 Grade 304



Type 29256	Technical data						
Nominal size	DN	25	40	50	65	80	100
Dimension code	.X.	0250	0400	0500	0650	0800	1000
Disc-Ø	L	34	45	55	70	78	108
Weight	ca. kg	0.21	0.33	0.57	0.74	1.06	2.13

Dimensions in mm.

# Spare Parts Valves and Fill Cluster

## Type 28301 - Topwork



for Cryogenic-Globe and Globe/Check Valves

Bronze topwork

"live loaded" gland packing

"cleaned and degreased for oxygen service"

Part No. 28301.X.0000

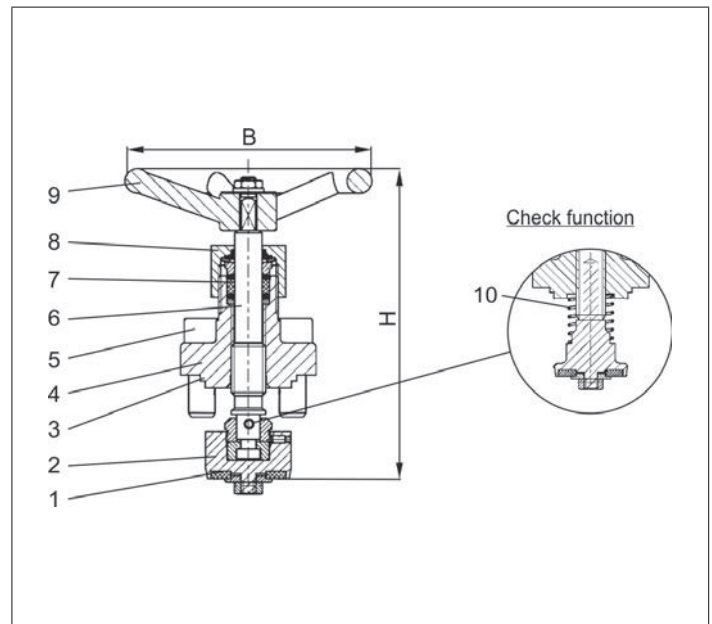
Part No. 28301.X.5001 with check function



suitable for:

Type	Nominal size
01301, 01305, 02401	DN10 - DN50
01331	DN10 - DN100
01335	DN10 - DN50
03331	DN25 - DN150

Materials	DIN EN	ASTM
1 Valve seal	PTFE / Carbon filled (25%)	
2 Disc	CW614N B 283 UNS C38500	
3 Bonnet gasket	PTFE	
4 Headpiece	CC493K B 505 UNS C93200	
5 Bolts	1.4301/A2 A 194 B8	
6 Stem	1.4301 A 276 Grade 304	
7 Gland packing	Graphite / PTFE	
8 Gland nut	CW614N B 283 UNS C38500	
9 Handwheel	Aluminium alloy	
10 Spring	CW452K B 159 UNS C51900	



Type 28301	Technical data											
Nominal size	DN	10	15	20	25	32	40	50	65	80	100	150
Dimension code	.X.	0100	0150	0200	0250	0320	0400	0500	0650	0800	1000	1500
Height	H	130	130	130	130	155	160	185	240	285	320	380
Number of bolts		4	4	4	4	4	4	6	6	6	6	12
Handwheel-Ø	B	100	100	100	100	125	125	125	200	250	315	360
Weight	ca. kg	0.6	0.7	0.95	1.0	1.5	1.9	2.7	4.8	5.9	8.4	18.0

Dimensions in mm.

# Spare Parts Valves and Fill Cluster

## Type 28351 - Topwork



for Cryogenic-Globe and Globe/Check Valves

Stainless steel topwork,  
 "live loaded" gland packing  
 "cleaned and degreased for oxygen service"

Part No. 28351.X.0000

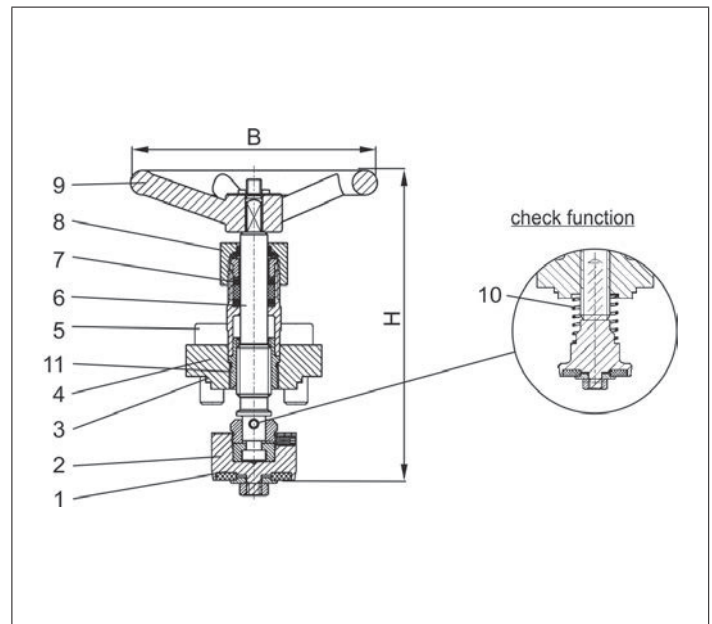
Part No. 28351.X.5000 with check function



suitable for:

Type	Nominal size
01351	DN10 - DN100
01355	DN10 - DN50
03351	DN25 - DN150

Materials	DIN EN	ASTM
1 Valve seal	PTFE / Carbon filled (25%)	
2 Disc	1.4301	A 276 Grade 304
3 Bonnet gasket	PTFE	
4 Headpiece	1.4301	A 276 Grade 304
5 Bolts	1.4301/A2	A 194 B8
6 Stem	1.4301	A 276 Grade 304
7 Gland packing	Graphite / PTFE	
8 Gland nut	1.4305	A 276 Grade 303
9 Handwheel	Aluminium alloy	
10 Spring	1.4310	A 313 Grade 301
11 Bush	CW452K	B 159 UNS C51900



Type 28351	Technical data											
Nominal size	DN	10	15	20	25	32	40	50	65	80	100	150
Dimension code	.X.	0100	0150	0200	0250	0320	0400	0500	0650	0800	1000	1500
Height	H	130	130	130	130	155	160	185	240	285	320	380
Number of bolts		4	4	4	4	4	4	6	6	6	6	12
Handwheel-Ø	B	100	100	100	100	125	125	125	200	250	315	360
Weight	ca. kg	0.6	0.7	0.95	1.0	1.5	1.9	2.7	4.8	5.9	8.4	18.0

Dimensions in mm.

# Spare Parts Valves and Fill Cluster

## Type 28311 - Topwork



for Cryogenic-Globe and Globe/Check Valves

Bronze topwork

"live loaded" gland packing

"cleaned and degreased for oxygen service"

**Part No. 28311.X.0010 (H=270mm)**

**Part No. 28311.X.0020 (H=370mm)**

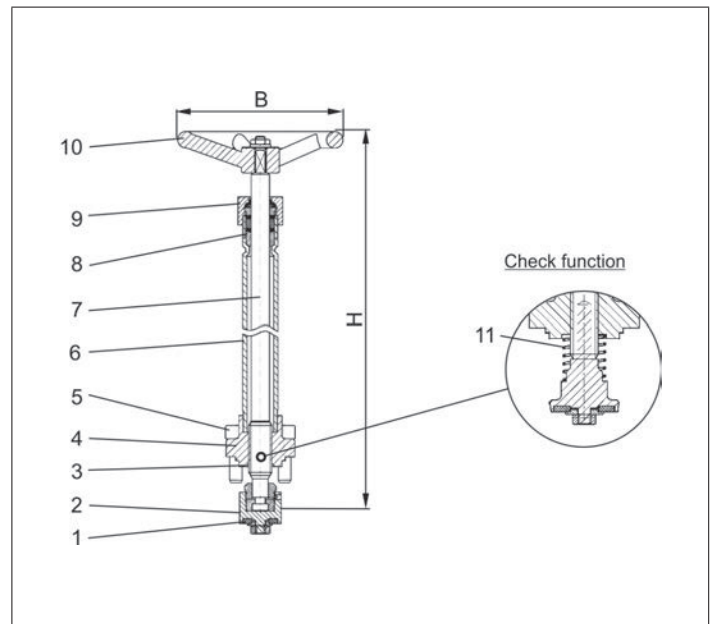
**Part No. 28311.X.5010 (H=270mm) with check function**

**Part No. 28311.X.5020 (H=370mm) with check function**

suitable for:

Type	Nominal size
01311, 01315, 02411	DN10 - DN50
01321	DN10 - DN150
01325	DN10 - DN50
03321	DN25 - DN150
07003 - only drain valve	DN15
07004 - only drain valve	DN15

Materials	DIN EN	ASTM
1 Valve seal	PTFE / Carbon filled (25%)	
2 Disc	CW614N B 283 UNS C38500	
3 Bonnet gasket	PTFE	
4 Headpiece	CC493K B 505 UNS C93200	
5 Bolts	1.4301/A2 A 194 B8	
6 Elongation tube	1.4541 A 213 TP 321	
7 Stem	1.4301 A 276 Grade 304	
8 Gland packing	Graphite / PTFE	
9 Gland nut	CW614N B 283 UNS C38500	
10 Handwheel	Aluminium alloy	
11 Spring	CW452K B 159 UNS C51900	



Type 28311	Technical data											
Nominal size	DN	10	15	20	25	32	40	50	65	80	100	150
Dimension code	.X.	0100	0150	0200	0250	0320	0400	0500	0650	0800	1000	1500
Height	H	270 mm or 370 mm							400	400	400	420
Number of bolts		4	4	4	4	4	4	6	6	6	6	6
Handwheel-Ø	B	100	100	100	100	125	125	125	200	250	315	350
Weight	ca. kg	1.0	1.1	1.4	1.4	2.0	2.4	3.0	5.5	6.8	9.5	18.4

Dimensions in mm.

# Spare Parts Valves and Fill Cluster

## Type 28341 - Topwork



for Cryogenic-Globe and Globe/Check Valves

Stainless steel topwork,  
 "live loaded" gland packing  
 "cleaned and degreased for oxygen service"

**Part No. 28341.X.0010 (H=270mm)**

**Part No. 28341.X.0020 (H=370mm)**

**Part No. 28341.X.5010 (H=270mm) with check function**

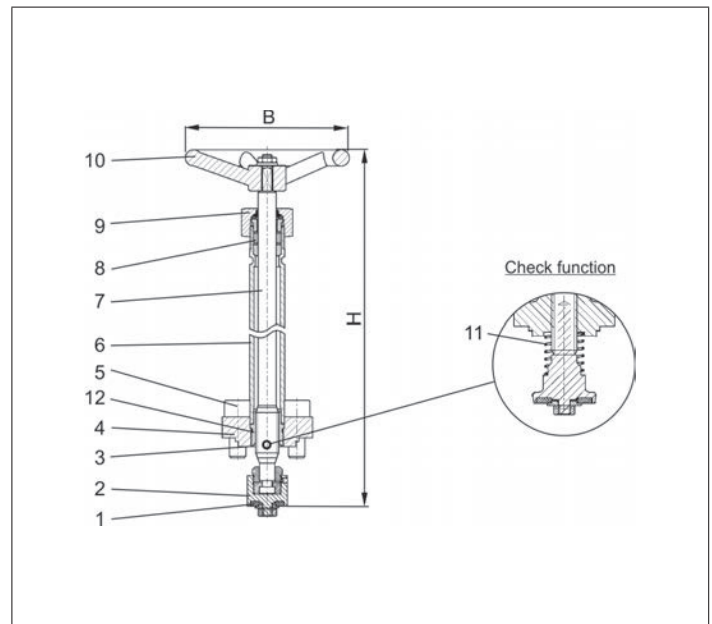
**Part No. 28341.X.5020 (H=370mm) with check function**

suitable for:

Type	Nominal size
01341	DN10 - DN200
01345	DN10 - DN50
03341	DN25 - DN150



Materials	DIN EN	ASTM
1 Valve seal	PTFE / Carbon filled (25%)	
2 Disc	1.4301	A 276 Grade 304
3 Bonnet gasket	PTFE	
4 Headpiece	1.4301	A 276 Grade 304
5 Bolts	1.4301/A2	A 194 B8
6 Elongation tube	1.4541	A 213 TP 321
7 Stem	1.4301	A 276 Grade 304
8 Gland packing	Graphite / PTFE	
9 Gland nut	1.4305	A 276 Grade 303
10 Handwheel	Aluminium alloy	
11 Spring	1.4310	A 313 Grade 301
12 Bush	CW452K	B 159 UNS C51900



Type 28341	Technical data													
Nominal size	DN	10	15	20	25	32	40	50	65	80	100	150	200	
Dimension code	.X.	0100	0150	0200	0250	0320	0400	0500	0650	0800	1000	1500	2000	
Height	H	270 mm or 370 mm							400	400	400	420	560	
Number of bolts		4	4	4	4	4	4	6	6	6	6	6	12	
Handwheel-Ø	B	100	100	100	100	125	125	125	200	250	315	350	630	
Weight	ca. kg	1.0	1.1	1.4	1.4	2.0	2.4	3.0	5.5	6.8	9.5	18.4	56.8	

Dimensions in mm.



# Spare Parts Valves and Fill Cluster

## Type 28302 - Topwork Angle Type



for Cryogenic-Globe Valves Angle Type

Bronze topwork,  
 "live loaded" gland packing  
 "cleaned and degreased for oxygen service"

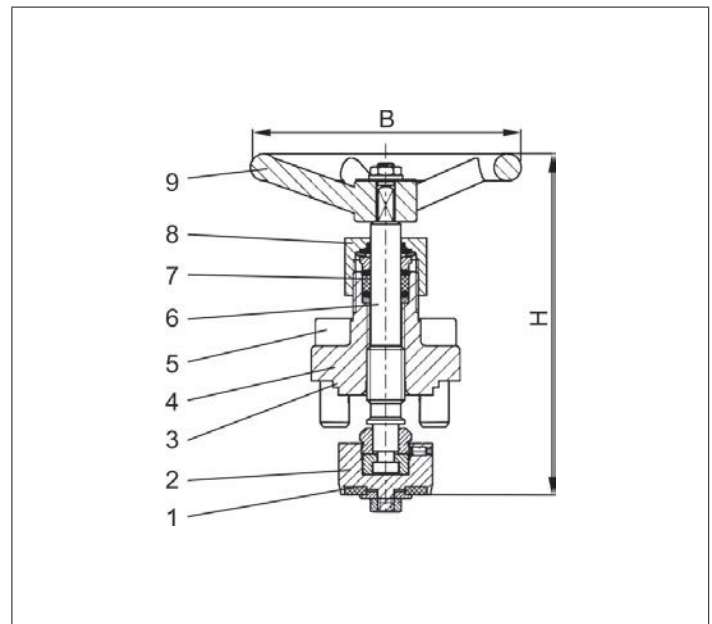
Part No. 28302.X.0000



suitable for:

Type	Nominal size
01332	DN15 - DN50

Materials	DIN EN	ASTM
1 Valve seal	PTFE / Carbon filled (25%)	
2 Disc	CW614N B 283 UNS C38500	
3 Bonnet gasket	PTFE	
4 Headpiece	CC493K B 505 UNS C93200	
5 Bolts	1.4301/A2 A 194 B8	
6 Stem	1.4301 A 276 Grade 304	
7 Gland packing	Graphite / PTFE	
8 Gland nut	CW614N B 283 UNS C38500	
9 Handwheel	Aluminium alloy	



Type 28302	Technical data							in preparation		
	DN	15	20	25	32	40	50	80	100	
Nominal size	.X.	0150	0200	0250	0320	0400	0500	-	-	
Dimension code	H	130	130	130	155	160	185	-	-	
Height	B	100	100	100	125	125	125	-	-	
Number of bolts	ca. kg	0.7	0.95	1.0	1.5	1.9	2.7	-	-	
Handwheel-Ø										
Weight										

Dimensions in mm.

# Spare Parts Valves and Fill Cluster

## Type 28352 - Topwork Angle Type



### for Cryogenic-Globe Valves Angle Type

Stainless steel topwork,  
 "live loaded" gland packing  
 "cleaned and degreased for oxygen service"

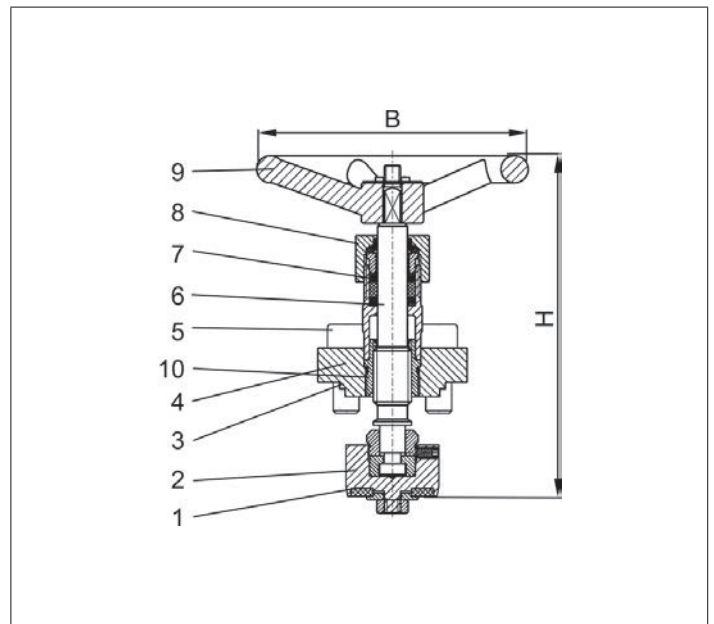
**Part No. 28352.X.0000**



**suitable for:**

Type	Nominal size
01352	DN15 - DN50

Materials	DIN EN	ASTM
1 Valve seal	PTFE / Carbon filled (25%)	
2 Disc	1.4301	A 276 Grade 304
3 Bonnet gasket	PTFE	
4 Headpiece	1.4301	A 276 Grade 304
5 Bolts	1.4301/A2	A 194 B8
6 Stem	1.4301	A 276 Grade 304
7 Gland packing	Graphite / PTFE	
8 Gland nut	1.4305	A 276 Grade 303
9 Handwheel	Aluminium alloy	
10 Bush	CW452K	B 159 UNS C51900



Type 28352	Technical data							in preparation		
	DN	15	20	25	32	40	50	80	100	
Nominal size	.X.	0150	0200	0250	0320	0400	0500	-	-	
Dimension code										
Height	H	130	130	130	155	160	185	-	-	
Number of bolts		4	4	4	4	4	6	-	-	
Handwheel-Ø	B	100	100	100	125	125	125	-	-	
Weight	ca. kg	0.7	0.95	1.0	1.5	1.9	2.7	-	-	

Dimensions in mm.

# Spare Parts Valves and Fill Cluster

## Type 28312 - Topwork Angle Type



for Cryogenic-Globe Valves Angle Type

Bronze topwork

"live loaded" gland packing

"cleaned and degreased for oxygen service"

**Part No. 28312.X.0010 (H=270mm)**

**Part No. 28312.X.0020 (H=370mm)**

**Part No. 28312.X.5010 (H=270mm) with check function**

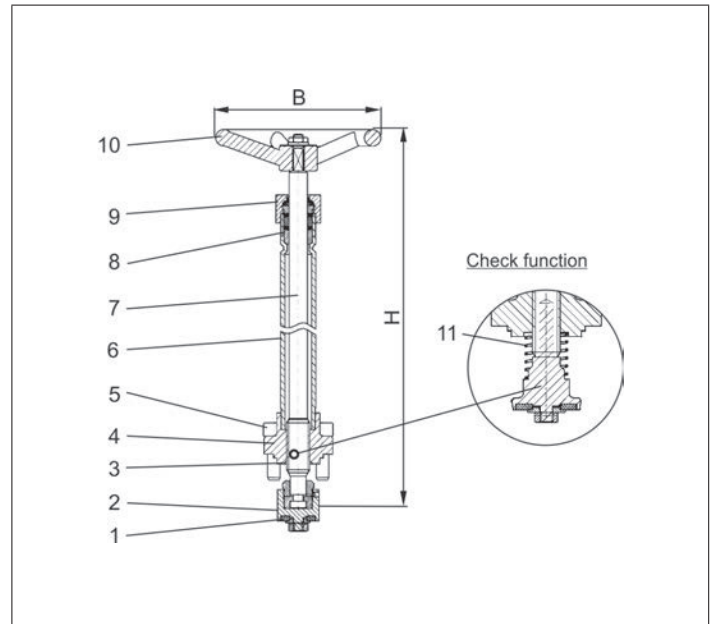
**Part No. 28312.X.5020 (H=370mm) with check function**

suitable for:

Type	Nominal size
01322	DN15 - DN50
07003 - only angled valves	DN25 & DN40
07004 - only angled valves	DN25 & DN40
07015 - only angled valves	DN25 & DN40



Materials	DIN EN	ASTM
1 Valve seal	PTFE / Carbon filled (25%)	
2 Disc	CW614N B 283 UNS C38500	
3 Bonnet gasket	PTFE	
4 Headpiece	CC493K B 505 UNS C93200	
5 Bolts	1.4301/A2 A 194 B8	
6 Elongation tube	1.4541 A 213 TP 321	
7 Stem	1.4301 A 276 Grade 304	
8 Gland packing	Graphite / PTFE	
9 Gland nut	CW614N B 283 UNS C38500	
10 Handwheel	Aluminium alloy	
11 Spring	CW452K B 159 UNS C51900	



Type 28312	Technical data							in preparation		
	DN	15	20	25	32	40	50	80	100	
Nominal size	.X.	0150	0200	0250	0320	0400	0500	-	-	
Dimension code										
Height	H	270 mm or 370 mm								
Number of bolts		4	4	4	4	4	6	-	-	
Handwheel-Ø	B	100	100	100	125	125	125	-	-	
Weight	ca. kg	1.1	1.4	1.4	2.0	2.4	3.0	-	-	

Dimensions in mm.

# Spare Parts Valves and Fill Cluster

## Type 28342 - Topwork Angle Type



### for Cryogenic-Globe Valves Angle Type

Stainless steel topwork,  
 "live loaded" gland packing  
 "cleaned and degreased for oxygen service"

**Part No. 28342.X.0010 (H=270mm)**

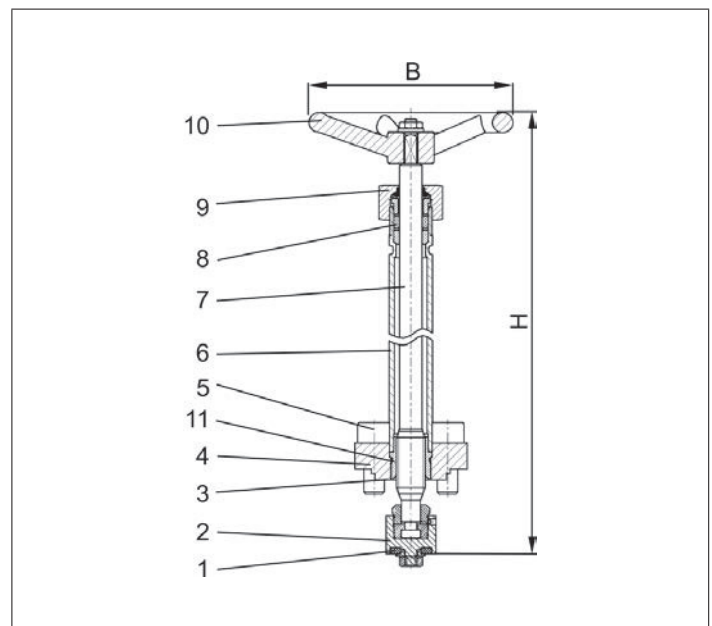
**Part No. 28342.X.0020 (H=370mm)**

### suitable for:

Type	Nominal size
01342	DN15 - DN50
07017	DN25 & DN40



Materials	DIN EN	ASTM
1 Valve seal	PTFE / Carbon filled (25%)	
2 Disc	1.4301	A 276 Grade 304
3 Bonnet gasket	PTFE	
4 Headpiece	1.4301	A 276 Grade 304
5 Bolts	1.4301/A2	A 194 B8
6 Elongation tube	1.4541	A 213 TP 321
7 Stem	1.4301	A 276 Grade 304
8 Gland packing	Graphite / PTFE	
9 Gland nut	1.4305	A 276 Grade 303
10 Handwheel	Aluminium alloy	
11 Bush	CW452K	B 159 UNS C51900



Type 28342	Technical data							in preparation		
Nominal size	DN	15	20	25	32	40	50	80	100	
Dimension code	.X.	0150	0200	0250	0320	0400	0500	-	-	
Height	H	270 mm or 370 mm							-	-
Number of bolts		4	4	4	4	4	6	-	-	
Handwheel-Ø	B	100	100	100	100	125	125	-	-	
Weight	ca. kg	1.1	1.4	1.4	2.0	2.4	3.0	-	-	

Dimensions in mm.

# Spare Parts Valves and Fill Cluster

## Type 29340 - Topwork



### for Cryogenic-Gate Valves

Stainless steel topwork,  
 one way tightening (in flow direction),  
 "live loaded" gland packing  
 "cleaned and degreased for oxygen service"

**Part No. 29340.0400.0010 (DN40)**

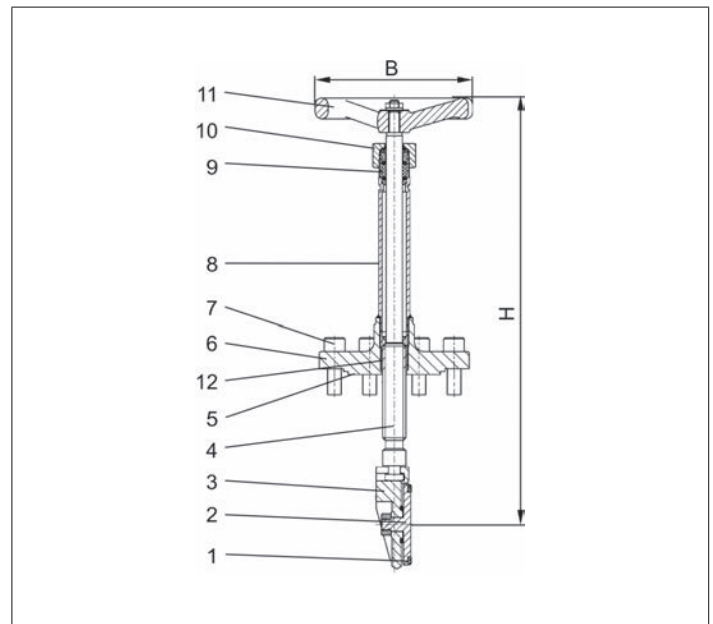
**Part No. 29340.X.0020**

suitable for:

Type	Nominal size
09340	DN25 - DN100



Materials	DIN EN	ASTM
1 Valve seal	PTFE / Carbon filled (25%)	
2 Disc	CW452K B 159 UNS C51900	
3 Wedge	1.4308	A 351 CF8
4 Stem	1.4301	A 276 Grade 304
5 Bonnet gasket	PTFE	
6 Headpiece	1.4308	A 351 CF8
7 Bolts	1.4301/A2 A 194 B8	
8 Elongation tube	1.4541	A 213 TP 321
9 Gland packing	Graphite / PTFE	
10 Gland nut	1.4305	A 276 Grade 303
11 Handwheel	Aluminium alloy	
12 Bush	CW452K B 159 UNS C51900	



Type 29340	Technical data						
Nominal size	DN	25	40	50	65	80	100
Dimension code	.X.	0250	0400	0500	0650	0800	1000
Height	H	300/400	320/420	360	370	380	470/570
Number of bolts		4	4	6	8	6	8
Handwheel-Ø	B	125	125	150	150	150	200
Weight	ca. kg	2.0	2.3	3.6	4.2	5.5	10.4

Dimensions in mm.

# Spare Parts Valves and Fill Cluster Type 30000 - Sealing spare part kit



## for Cryogenic-Globe Valves

"cleaned and degreased for oxygen service"

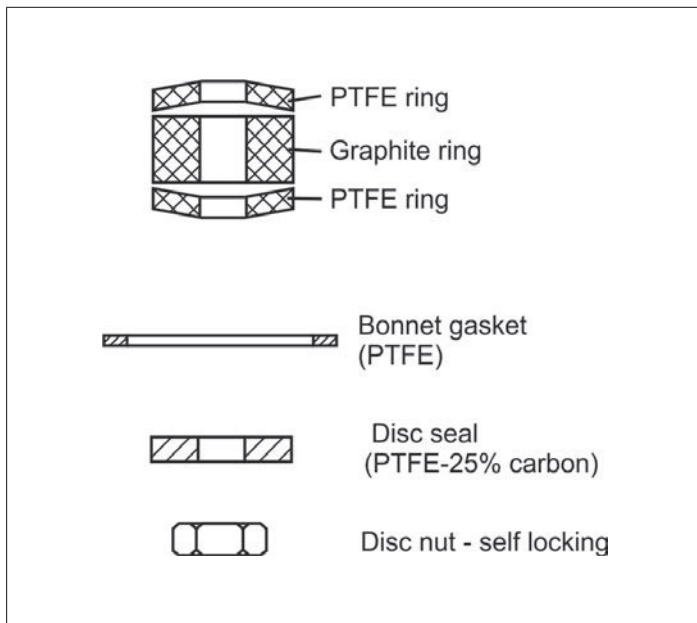
### Part No. 30000.X.0000

consisting of:

- 2x Bonnet gasket PTFE
- 1x Disc seal PTFE/Carbon filled (25%)
- 1x Disc nut 1.4301
- 1x Stem sealing kit complete PTFE/Graphite

### suitable for:

Type	Nominal size
01301, 01311	DN10 - DN50
01305, 01315, 02401, 02411	DN10 - DN50
01331	DN10 - DN100
01321	DN10 - DN150
01332, 01322	DN10 - DN50
01335, 01325	DN10 - DN50
03331, 03321	DN25 - DN150



Type 30000	Technical data											
	DN	10	15	20	25	32	40	50	65	80	100	150
Dimension code	.X.	0100	0150	0200	0250	0320	0400	0500	0650	0800	1000	1500
Weight	ca. kg	0.03	0.03	0.04	0.05	0.07	0.08	0.12	0.17	0.23	0.31	0.35

Dimensions in mm.

# Spare Parts Valves and Fill Cluster

## Type 30290 - Sealing spare part kit



for Cryogenic-Gate Valves

"cleaned and degreased for oxygen service"

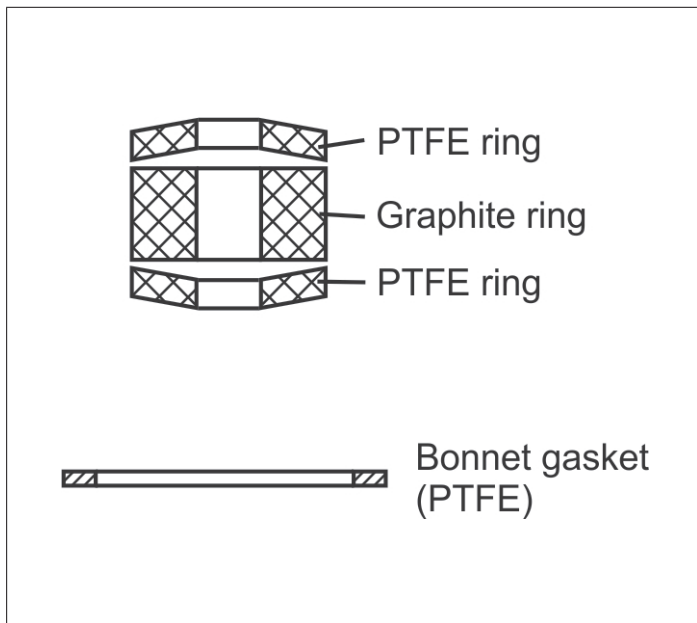
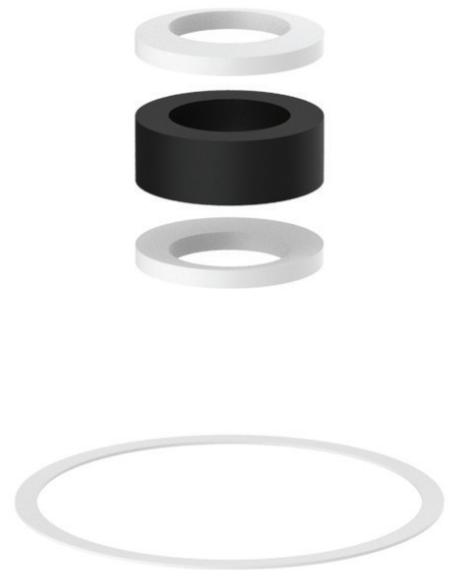
**Part No. 30290.X.S000**

consisting of:

- 2x Bonnet gasket PTFE
- 1x Gland packing kit complete PTFE/Graphite

suitable for:

Type	Nominal size
09340	DN25 - DN100



Type 30290	Technical data						
Nominal size	DN	25	40	50	65	80	100
Dimension code	.X.	0250	0400	0500	0650	0800	1000
Weight	ca. kg	0.02	0.05	0.10	0.15	0.21	0.29

Dimensions in mm.

# Spare Parts Valves and Fill Cluster Type 30293 - Sealing spare part kit



for actuated Cryogenic-Gate Valves

"cleaned and degreased for oxygen service"

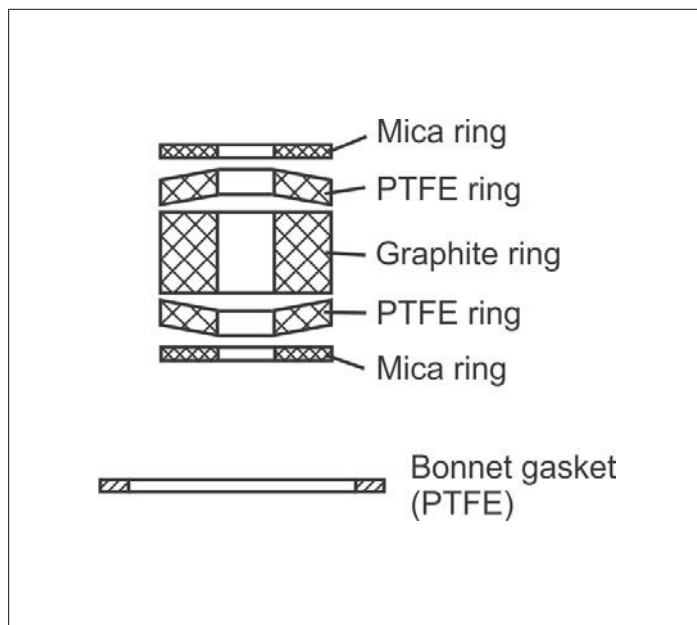
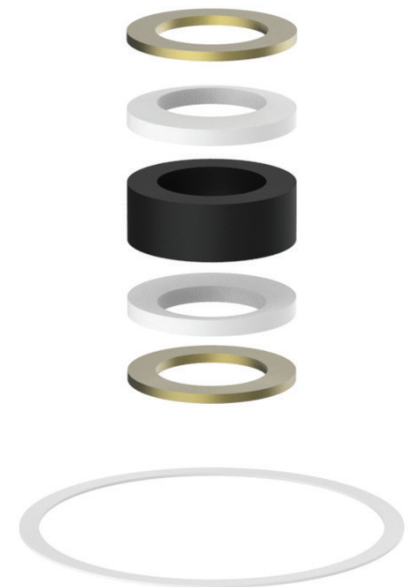
**Part No. 30293.X.S000**

consisting of:

- 2x Bonnet gasket PTFE
- 1x Gland packing kit complete PTFE/Graphite
- 2x Stem gasket Mica

suitable for:

Type	Nominal size
09343	DN25 - DN100



Type 30293	Technical data						
Nominal size	DN	25	40	50	65	80	100
Dimension code	.X.	0250	0400	0500	0650	0800	1000
Weight	ca. kg	0.03	0.06	0.11	0.16	0.22	0.30

Dimensions in mm.

Edition 2015-04



# Spare Parts Valves and Fill Cluster

## Type 30341 - Sealing spare part kit



for Cryogenic-Globe Valves

"cleaned and degreased for oxygen service"

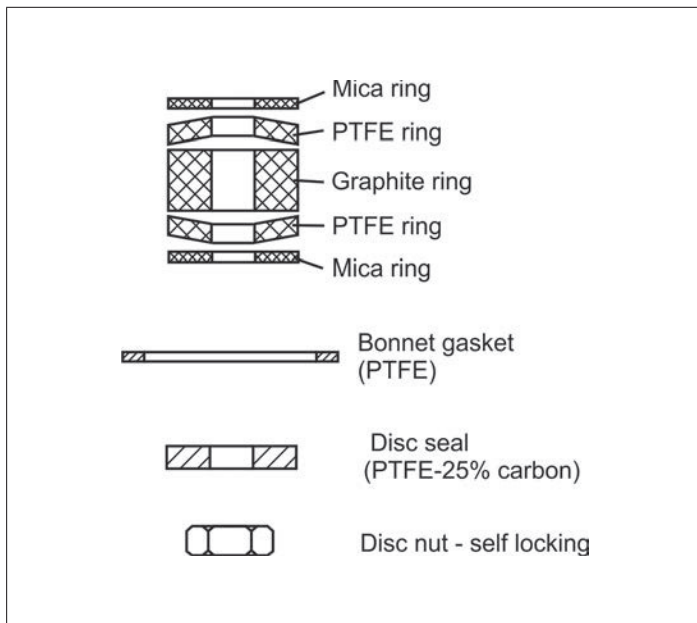
**Part No. 30341.X.0000**

consisting of:

- 2x Bonnet gasket PTFE
- 1x Disc seal PTFE/Carbon filled (25%)
- 1x Disc nut 1.4301
- 1x Gland packing kit complete PTFE/Graphite
- 2x Stem gasket Mica

suitable for:

Type	Nominal size
01351	DN10 - DN100
01341	DN10 - DN200
01352, 01342	DN15 - DN50
01355, 01345	DN10 - DN50
03351, 03341	DN25 - DN150



Type 30341	Technical data												
	DN	10	15	20	25	32	40	50	65	80	100	150	200
Dimension code	.X.	0100	0150	0200	0250	0320	0400	0500	0650	0800	1000	1500	2000
Weight	ca. kg	0.03	0.03	0.04	0.05	0.07	0.08	0.13	0.18	0.24	0.32	0.68	1.91

Dimensions in mm.

# Spare Parts Valves and Fill Cluster

## Type 31514 - KEL-F (PCTFE) Disc sealing spare part kit



for Cryogenic Globe Valves and Check Valves

"cleaned and degreased for oxygen service"

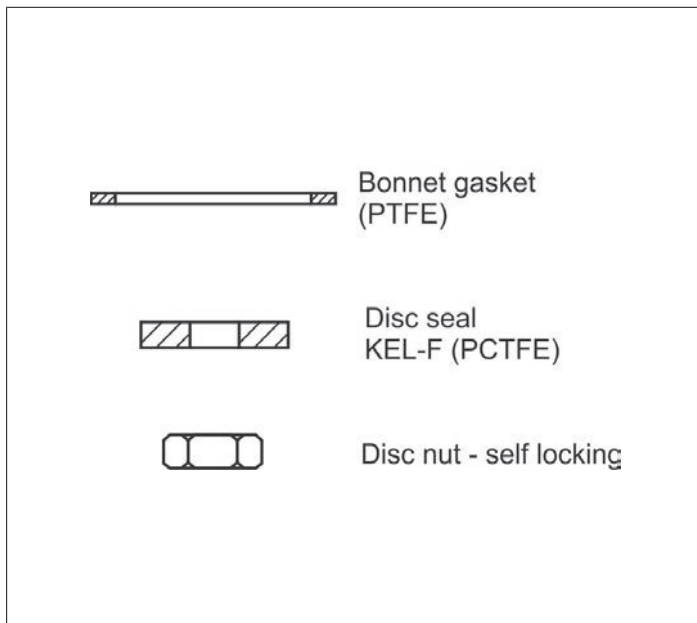
### Part No. 31514.X.PCTFE

consisting of:

- 2x Bonnet gasket PTFE
- 1x Disc seal KEL-F (PCTFE)
- 1x Disc nut 1.4301

suitable for:

Type	Nominal size
01301, 01311	DN10 - DN50
01305, 01315, 02401, 02411	DN10 - DN50
01331	DN10 - DN100
01321	DN10 - DN100
01332, 01322	DN10 - DN50
01335, 01325	DN10 - DN50
03331, 03321	DN25 - DN150
01351	DN10 - DN100
01341	DN10 - DN100
01352, 01342	DN15 - DN50
01355, 01345	DN10 - DN50
03351, 03341	DN25 - DN150



Type 31514	Technical data											
	DN	10	15	20	25	32	40	50	65	80	100	150
Dimension code	.X.	0100	0150	0200	0250	0320	0400	0500	0650	0800	1000	1500
Weight	ca. kg	0.02	0.02	0.03	0.04	0.06	0.07	0.11	0.16	0.22	0.30	0.40

Dimensions in mm.

Edition 2015-04

# Spare Parts Valves and Fill Cluster

## Typ 55318, Typ 55317 - Handrad



### for Cryogenic Globe Valves

Aluminium Handwheels

Part No.	Nominal size Globe Valve	colour
55318.0001.0402	DN10 - DN25	white (RAL 9010)
55318.0002.0402	DN32 - DN50	white (RAL 9010)

Part No.	Nominal size Globe Valve	colour
55317.0021.0402	DN65	silver (natural)
55317.0022.0402	DN80	silver (natural)
55317.0068.0402	DN100	silver (natural)
55317.0016.0402	DN150	silver (natural)
55317.0106.0402	DN200	silver (natural)

### for Cryogenic Bellow sealed Valves

Part No.	Nominal size Bellow sealed Valve	colour
55317.0029.0402	DN10 - DN50	silver (natural)

### for Cryogenic Gate Valves

Part No.	Nominal size Gate Valve	colour
55318.0002.0402	DN25 - DN40	white (RAL 9010)
55317.0029.0402	DN50 - DN80	silver (natural)
55317.0020.0402	DN100	silver (natural)

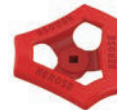


### Handwheels (available colours) for Cryogenic Globe Valves DN10 - DN50

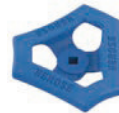
Part No.	Nominal size	colour
55318.0016.0402	DN10 - DN25	silver (natural)
55318.0017.0402	DN32 - DN50	silver (natural)



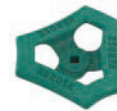
Part No.	Nominal size	colour
55318.0004.0402	DN10 - DN25	red (RAL 3000)
55318.0005.0402	DN32 - DN50	red (RAL 3000)



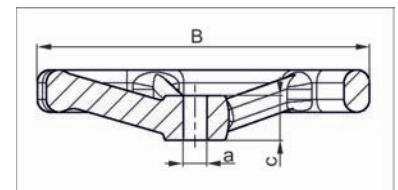
Part No.	Nominal size	colour
55318.0007.0402	DN10 - DN25	blue (RAL 5015)
55318.0008.0402	DN32 - DN50	blue (RAL 5015)



Part No.	Nominal size	colour
55318.0010.0402	DN10 - DN25	green (RAL 6005)
55318.0011.0402	DN32 - DN50	green (RAL 6005)



Part No.	Nominal size	colour
55318.0013.0402	DN10 - DN25	black (RAL 9011)
55318.0014.0402	DN32 - DN50	black (RAL 9011)



Type 55318	Technical data				Type 55317								
		.0001.0402	.0002.0402										
		.0004.0402	.0005.0402										
		.0007.0402	.0008.0402		.0016.0402	.0020.0402	.0021.0402	.0022.0402	.0029.0402	.0068.0402	.0106.0402		
		.0010.0402	.0011.0402										
		.0013.0402	.0014.0402										
		.0016.0402	.0017.0402										
Handwheel-Ø	B	100	125		360	200	200	250	150	315	630		
Square	a	7	10		15	12	10	10	10	12	27		
Hub height	c	15	19.5		35.0	30.0	20.5	20.0	19.0	33.0	56.0		
Weight	ca. kg	0.1	0.15		3.4	0.85	0.8	0.15	0.35	2.5	9.7		

Dimensions in mm.

# Spare Parts Valves and Fill Cluster

## Type 55579 - Valve locking



### for Cryogenic-Globe Valves

Valve locking in vinyl

for protection against damage and unauthorized access.

locking with locking wire or padlock (shackle thickness max. 7.7mm) - not included

temperature range: -30°C up to +300°C

#### **Part No. 55579.0005.0841**

for handwheel diameter 60mm - 130mm

#### **Part No. 55579.0006.0841**

for handwheel diameter 131mm - 165mm

#### **Part No. 55579.0007.0841**

for handwheel diameter 166mm - 250mm

#### **Part No. 55579.0008.0841**

for handwheel diameter 251mm - 330mm

Available options - on request only:

- other colours
- additional sizes

**Important:** Please specify the diameter of handwheel when ordering.

