

HEAVY DUTY BALL VALVES

H-1700 SERIES



H-1700 FEATURES

- On/off-service ball valve with 2-way pattern
- Blow-out Proof Stem
- Stainless Steel Constructions
- MAWP* 6000 psi (413 bar)
- MAWT* 500°F (260°C)
- Variable end connection types and sizes from 1/8" to 1" (3mm to 25mm)

* Maximum Allowed Working Pressure, Maximum Allowed Working Temperature.

H-1700 GENERAL

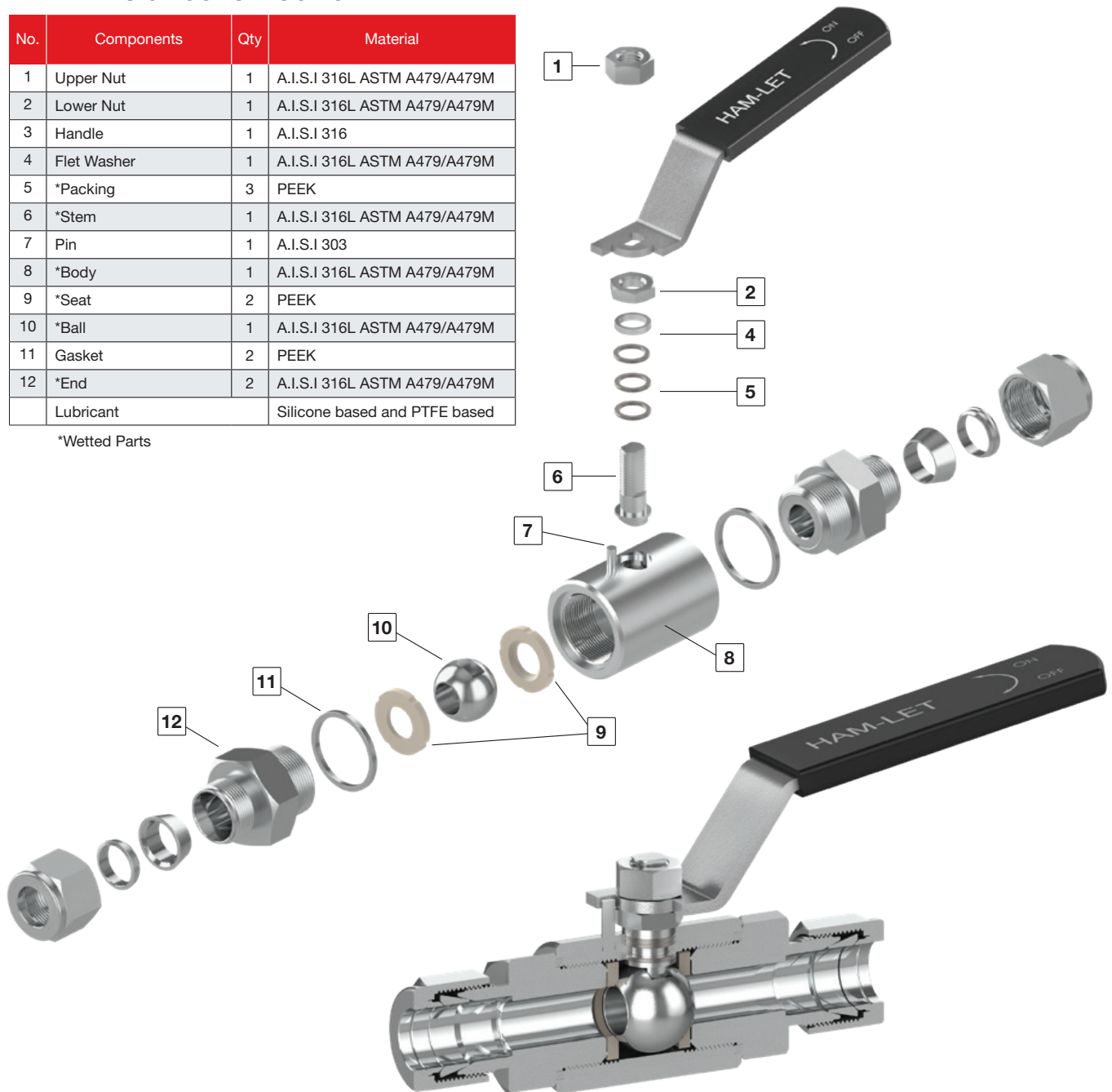
The H-1700 Series is a high-Pressure and high-Temperature instrumentation ball valve for general service.

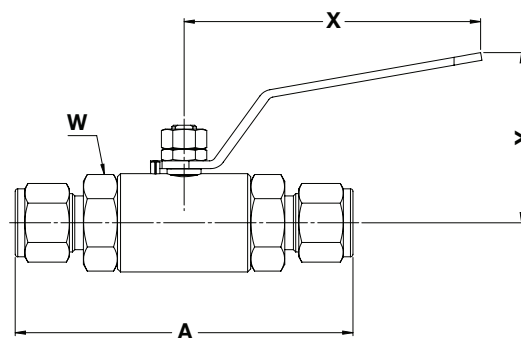
The H-1700 series is designed for heavy duty service due to its low operation torque, large and ergonomic handle for better grip and high cycle and thermal cyclic durability.

MATERIALS OF CONSTRUCTION

No.	Components	Qty	Material
1	Upper Nut	1	A.I.S.I 316L ASTM A479/A479M
2	Lower Nut	1	A.I.S.I 316L ASTM A479/A479M
3	Handle	1	A.I.S.I 316
4	Flet Washer	1	A.I.S.I 316L ASTM A479/A479M
5	*Packing	3	PEEK
6	*Stem	1	A.I.S.I 316L ASTM A479/A479M
7	Pin	1	A.I.S.I 303
8	*Body	1	A.I.S.I 316L ASTM A479/A479M
9	*Seat	2	PEEK
10	*Ball	1	A.I.S.I 316L ASTM A479/A479M
11	Gasket	2	PEEK
12	*End	2	A.I.S.I 316L ASTM A479/A479M
	Lubricant		Silicone based and PTFE based

*Wetted Parts





H-1700 CONFIGURATION DIMENSIONS

size	End connection	orifice		A		X		Y		W
		mm	inch	mm	inch	mm	inch	mm	inch	
1/8	Let-Lok®	2.3	0.09	95.5	3.76	96	3.78	54.9	2.16	27
1/4		4.8	0.19	100.3	3.95	96	3.78	54.9	2.16	27
3/8		7.1	0.28	103.4	4.07	96	3.78	54.9	2.16	27
1/2		10	0.39	109.0	4.29	96	3.78	54.9	2.16	27
3/4		15.8	0.62	162.6	6.4	149.1	5.87	86.4	3.40	46
1		19	0.75	171.5	6.75	149.1	5.87	86.4	3.40	46
3mm	Let-Lok®	2.3	0.09	95.5	3.76	96	3.78	54.9	2.16	27
6mm		4.8	0.19	100.3	3.95	96	3.78	54.9	2.16	27
8mm		6.4	0.25	102.1	4.02	96	3.78	54.9	2.16	27
10mm		7.9	0.31	103.9	4.09	96	3.78	54.9	2.16	27
12mm		10	0.39	109.0	4.29	96	3.78	54.9	2.16	27
25mm		19	0.75	171.5	6.75	149.1	5.87	86.4	3.40	46
1/8	Female NPT/BSPT	7.8	0.31	77.7	3.06	96	3.78	54.9	2.16	27
1/4		10	0.39	77.7	3.06	96	3.78	54.9	2.16	27
3/8		10	0.39	77.7	3.06	96	3.78	54.9	2.16	27
1/2		10	0.39	77.7	3.06	96	3.78	54.9	2.16	27
3/4		19	0.75	118.6	4.67	149.1	5.87	86.4	3.40	46
1		19	0.75	118.6	4.67	149.1	5.87	86.4	3.40	46
1/8	Male NPT/BSPT	4.8	0.19	88.4	3.48	96	3.78	54.9	2.16	27
1/4		7.1	0.28	97.3	3.83	96	3.78	54.9	2.16	27
3/8		9.6	0.38	97.3	3.83	96	3.78	54.9	2.16	27
1/2		10	0.39	106.9	4.21	96	3.78	54.9	2.16	27
3/4		15.8	0.62	144.8	5.70	149.1	5.87	86.4	3.40	46
1		19	0.75	154.4	6.08	149.1	5.87	86.4	3.40	46

CLEANING & PACKAGING

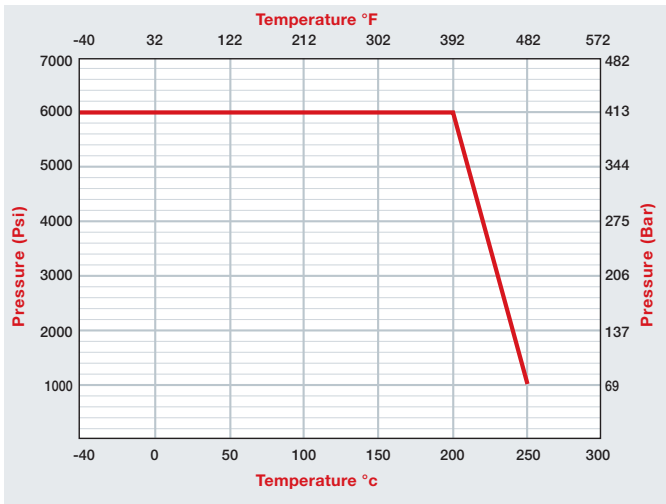
Every H-1700 series ball valve is cleaned in accordance with Standard Cleaning and Packaging (procedure 8184). Oxygen Clean Cleaning and packaging, in accordance with Special Cleaning and Packaging (procedure 8185), is available as an option.

TESTING

The H-1700 design has been tested for Burst and Pressure. Standard testing for each H-1700 valve includes testing with nitrogen at 80 & 1000 psig. Each valve is tested for leakage through the shell, packing and ball seats. The maximum allowable leakage across the ball seats is 0.1 std cc/min.

⚠ HAM-LET Ball Valves are designed for operation in the fully closed or fully open position.

H-1700 PRESSURE TEMPERATURE RANGES



SEAT MATERIAL CHARACTERISTICS PEEK (PolyEtherEtherKeton)

Excellent seat material for high-pressure and high-temperature applications. Excellent chemical resistance. Can be used continuously up to 500°F (260°C) and in hot water or steam without permanent loss in physical properties. High strength for hostile environments and high pressure.

PACKING ADJUSTMENT

Due to the varied service applications of the valve, packing adjustment may occasionally be necessary. Packing is factory adjusted to 1000 psig service.

Please find more information on H-1700 under the installation instructions.

⚠ Initial packing adjustment is recommended after installation and prior to start-up

H-1700 SERIES ORDERING INFORMATION

H-17 - **00** - **SS** - **L** - **1/4** - **OPTIONAL**

Valve Series	Material	End Connection Size	Treatment
00 - LET-LOK® End	SS - St.St.316	1/4 6 MM	BLANK - Standard Cleaning & Passivation
10 - Female End	L - LET-LOK® Tube Fitting	3/8 10 MM	OC - Oxygen Clean
80 - Male End	N - Threaded NPT	1/2 12 MM	SF - Silicone Free
85 - Male to Female End	R - ISO Tapered	3/4 -	
95 - Male to LET-LOK® End	NL - NPT to LET-LOK®	1 25 MM	
	LN - LET-LOK® to NPT		

Other end connections are available upon request.

Warning!

The system designer and user have the sole responsibility for selecting products suitable for their special application requirements, ensuring their safe and trouble-free installation, operation, and maintenance. Application details, material compatibility and product ratings should all be considered for each selected product. Improper selection, installation or use of products can cause property damage or personal injury.

H-1700 | 2020_Rev00A