

# Bourdon Tube Pressure Gauges High Purity Series Type 130.15

WIKA Datasheet 130.15

## Applications

- Semiconductor and electronic industry, medical industry, gene technology, biotechnology and pharmaceutical industries.
- Suitable for corrosive environments and gaseous or liquid media that will not obstruct the pressure system
- Where measurement of high purity gases is needed without contamination of the process media.

## Special Features

- 316L wetted parts
- Electro-polished stainless steel case
- Positive and compound pressure ranges to 6000 psi

## Standard Features

### Design

ASME B40.100

### Sizes

2" (50 mm)  
1 1/2" (40 mm)

### Accuracy Class

2":  $\pm 2/1/2\%$  of span (ASME B40.100 Grade A)  
1 1/2":  $\pm 3/2/3\%$  of span (ASME B40.100 Grade B)

### Ranges

Vacuum / compound to 30" Hg/0/300 psi  
Pressure from 15 psi up to 6000 psi  
or other equivalent units of pressure or vacuum

### Working Pressure

Steady:  $\frac{3}{4}$  full-scale value  
Fluctuating:  $\frac{2}{3}$  full-scale value  
Short time: full-scale value

### Operating Temperature

Ambient: -40°F to +140°F (-40°C to +60°C)  
Medium: +212°F (+100°C) maximum



Bourdon Tube Pressure Gauge Model 130.15

### Temperature Error

Additional error when temperature changes from reference temperature of 68°F (20°C)  $\pm 0.4\%$  for every 18°F (10°C) rising or falling. Percentage of span.

### Weather Protection

Weather resistant (NEMA 3 / IP 54)

### Pressure Connection

Material: 316L SS  
Position: Lower mount (LM) & center back mount (CBM)  
Type of connection: 1/4" NPT - male  
Wetted surface finish:  $R_a < 1.0\mu\text{m}$  ( $R_a < 40\mu\text{inch}$ )-internal

### Bourdon Tube

Material: 316L SS  
30" Hg (vac) to 1,000 psi, C-type  
1,500 to 6000 psi, helical type  
Helium leak tested  $1 \times 10^{-9}$  scc/sec (inboard)

### Socket

Material: 316L SS  
 $R_a < 1.0\mu\text{m}$  ( $R_a < 40\mu\text{inch}$ ) - internal

(Standard Features continued on Page 2 of 5)

**Movement**

Stainless steel

**Dial**

White aluminum with stop pin and black lettering

**Pointer**

Black aluminum

**Case**

304 SS, electropolished

**Window**

Polycarbonate: twist-lock (2"); snap cap (1½")

**Cleanliness**

ASME B40.1 Level IV (for oxygen service)

Packaged in single nylon bag

Purged with Nitrogen

Protective cap over threaded connection

**Order Options (minimum order may apply)**

Alarm contact (830.1E), inductive

Packaged in two bags

Other special connections limited to wrench flat area

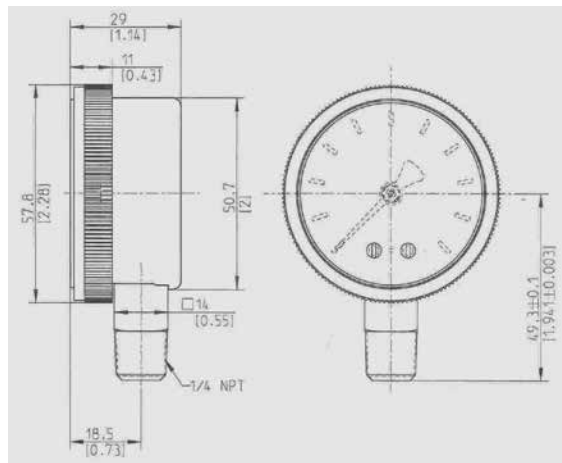
Custom dial layout

Stainless steel restrictor

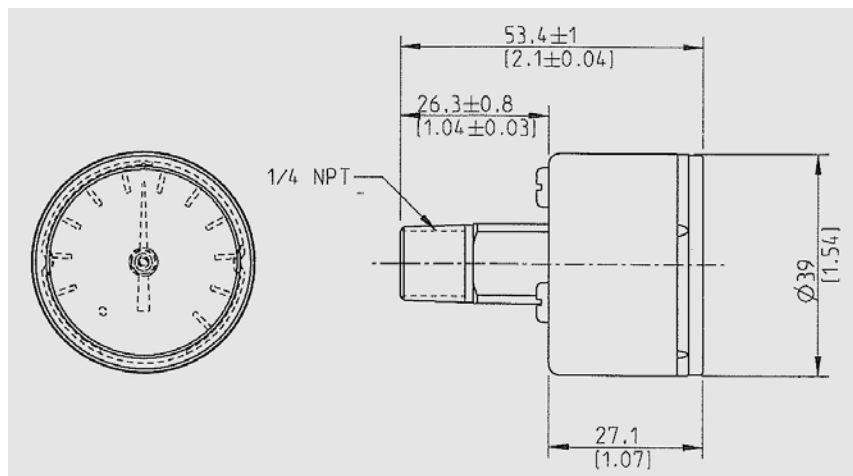
Particle test with certificate

Dual pressure scales

Additional process wetted materials available per request

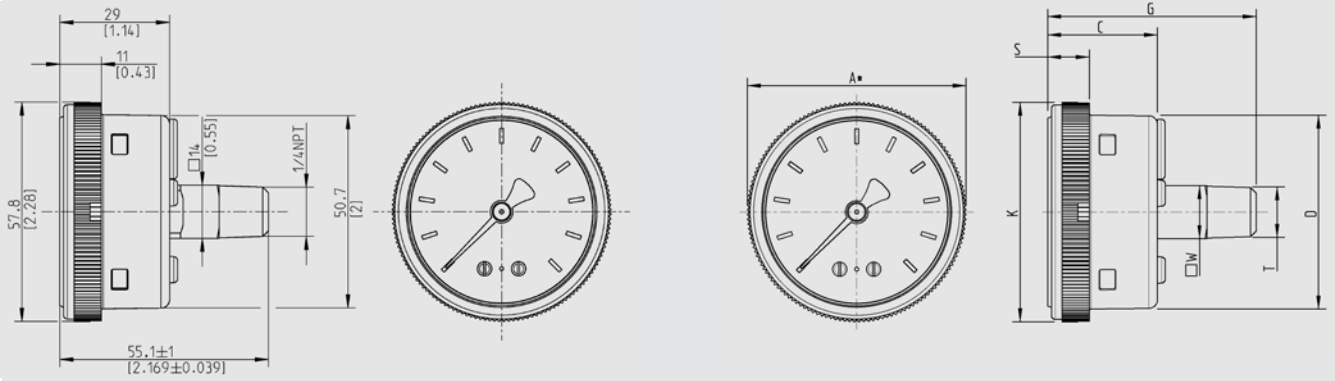


130.15 2" LM  
¼" NPT-MALE (NPTM)



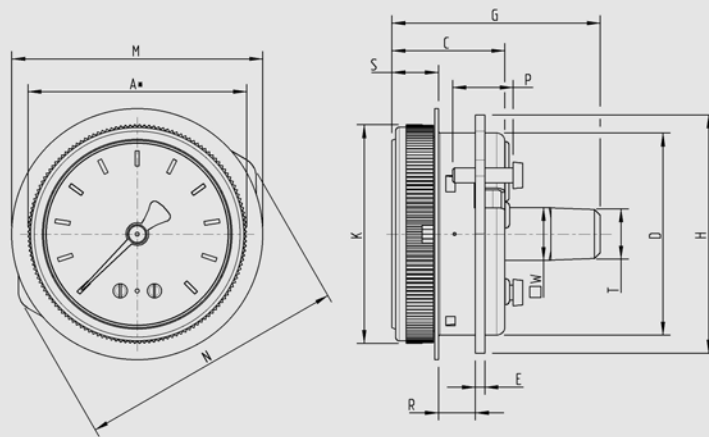
130.15 1½" CBM  
¼" NPT-MALE (NPTM)

**Dimensions**

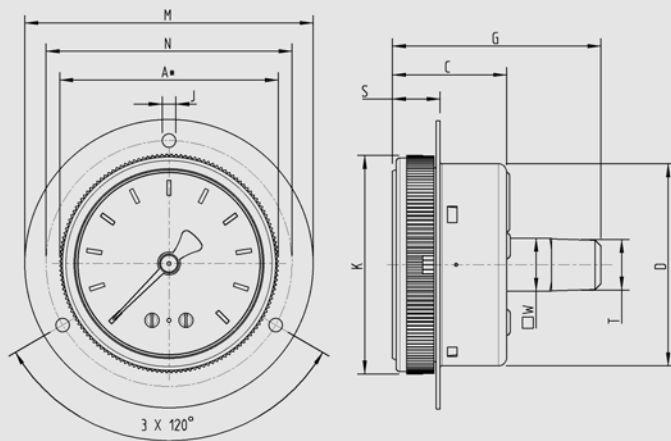


**130.15 2" CBM  
1/4" NPT-MALE (NPTM)**

**130.15 2" CBM  
1/4" NPT-MALE (NPTM)**



**130.15 2" CBM w/U-CLAMP  
1/4" NPT-MALE (NPTM)**



**130.15 2" CBM w/ FRONT FLANGE  
1/4" NPT-MALE (NPTM)**

SIZE		A*	C	D	E	G	H	K	M	N	P	R	S	T	W
2"	MM	50	30.2	53.4	2.5	55.1	63	57.8	66.4	71	16	9.8	12.6	1/4"	14
	IN	2	1.19	2.10	0.10	2.17	2.48	2.28	2.61	2.80	0.63	0.39	0.50		.55

<b>Case</b>	304 SS, electropolished
<b>Wetted Material</b>	316L SS
<b>Window</b>	Polycarbonate
<b>Dial</b>	Aluminum, white with stop pin
<b>Pointer</b>	Aluminum black
<b>Accuracy</b>	2" +/- 2/1/2% of span (ASME B40.1 Grade A) 1 1/2" +/- 2/3/2% of span (ASME B40.1 Grade B)
<b>Cleanliness</b>	ASME B40.1 Level IV (for oxygen service)
<b>Packaging</b>	Single nylon bag, nitrogen purged

Field No.	Code	Feature
1	<b>Nominal Case Size</b>	
	6	1.5" (40 mm)
	7	2.0" (50 mm)
2	<b>Unit</b>	
	P	psi
	B	bar
	L	kPa
	E	MPa
	K	Kg/cm <sup>2</sup>
	?	other
3	<b>Pressure Range</b>	
	V310	-30 inHg ... 0 psi
	V321	-30 inHg ... 15 psi
	V331	-30 inHg ... 30 psi
	V352	-30 inHg ... 60 psi
	V379	-30 inHg ... 100 psi
	V412	-30 inHg ... 160 psi
	V415	-30 inHg ... 200 psi
	V422	-30 inHg ... 300 psi
	G310	0 ... 15 psi
	G321	0 ... 30 psi
	G341	0 ... 60 psi
	G369	0 ... 100 psi
	G411	0 ... 160 psi
	G414	0 ... 200 psi
	G421	0 ... 300 psi
	G428	0 ... 400 psi
	G441	0 ... 600 psi
	G455	0 ... 800 psi
	G469	0 ... 1000 psi
	G510	0 ... 1500 psi
	G514	0 ... 2000 psi
	G521	0 ... 3000 psi
	G528	0 ... 4000 psi
	G534	0 ... 5000 psi
	G541	0 ... 6000 psi
	????	other - please specify

Field No.	Code	Feature
		<b>Unit</b>
	Z	without
	P	psi
	B	bar
	L	kPa
	E	MPa
	K	Kg/cm2
4	?	other
		<b>Process Connection</b>
	NB	1/4" NPT - male
5	??	other - please specify
		<b>Connector Position</b>
	B	Center back mount
6	U	Lower mount
		<b>Mounting Flange/Bracket</b>
	Z	Without
	K	Panel mount with SS mounting bracket (2" CBM only)
7	F	Front flange, polished SS (2" CBM only)
		<b>Switch Type</b>
	Z	without
	N	Inductive NPN (2" case only) 830.1E
8	P	Inductive PNP (2" case only) 830.1E
		<b>Electrical Connection</b>
	ZZ	without
9	DA	Flying leads, 10' (3 meters)
		<b>Quality Certificates</b>
10	?	other - please specify
		<b>Additional Order Details</b>
	Z	without
11	T	Additional text

Order Code:    1       2       3       4       5       6 7       8       9       10 11\*

**130.15** -  -  -  -  -  **Z**

\*Additional order details \_\_\_\_\_

Specifications provided in this datasheet represent the state of engineering at the time of printing.  
 Modifications may take place and the specified materials may change without prior notice



**WIKAI Instrument, LP**  
 1000 Wiegand Boulevard  
 Lawrenceville, GA 30043-5868  
 Tel: 888-WIKA-USA • 770-513-8200  
 Fax: 678-739-2569  
 E-Mail: UHP@wika.com  
 www.wika.com/UHP